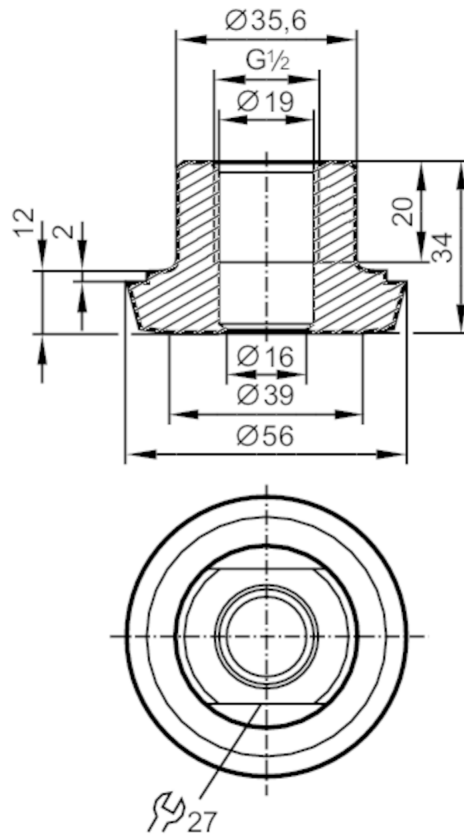


E43305



Process adapter pipe fitting

ADAPT G1/2-DIN11851 DN40



EC 1935/2004 EHEDG Certified **FCM** **FDA**

Application	
Pressure rating	[bar] 40
Mechanical data	
Weight	[g] 341.5
Materials	stainless steel (1.4435 / 316L)
Sensor connection	G 1/2
Process connection	hygienic pipe fitting DN40 (1,5") DIN 11851
Surface characteristics Ra/Rz of the wetted parts	0.4 / 4
Hygienic equipment class to DIN 11866	H4
Remarks	
Pack quantity	1 pcs.