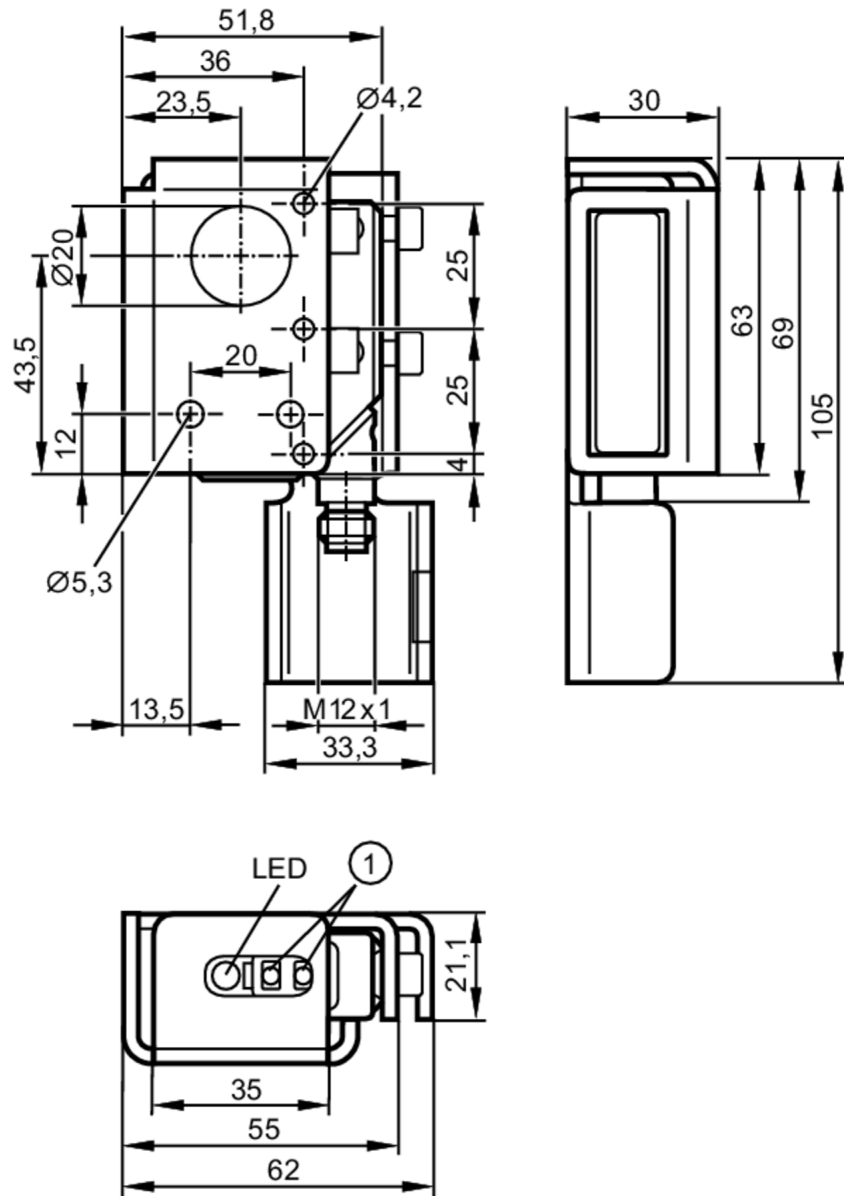


O5P51A



Retro-reflective sensor

O5P-FPKG/US100/3D



- 1 programming buttons
receiver in upper lens
transmitter in lower lens



Product characteristics

Type of light	red light
Housing	rectangular
Dimensions [mm]	105 x 30 x 62

Application


Special feature	polarisation filter
Function principle	Retro-reflective sensor

O5P51A



Retro-reflective sensor

O5P-FPKG/US100/3D

Electrical data		
Operating voltage [V]	10...30 DC; (outside hazardous areas: 10...36)	
Current consumption [mA]	20	
Protection class	III	
Reverse polarity protection	yes	
Type of light	red light	
Outputs		
Electrical design	PNP	
Output function	light-on/dark-on mode; (programmable)	
Max. voltage drop switching output DC [V]	2.5	
Permanent current rating of switching output DC [mA]	100; (outside hazardous areas: 200)	
Switching frequency DC [Hz]	2000	
Short-circuit protection	yes	
Type of short-circuit protection	pulsed	
Overload protection	yes	
Detection zone		
Range referred to prismatic reflector [m]	0.075...10; (Prismatic reflector Ø 80 E20005)	
Range adjustable	yes	
Max. light spot diameter [mm]	250	
Polarisation filter available	yes	
Operating conditions		
Ambient temperature [°C]	-10...50	
Note on ambient temperature	outside hazardous areas: -25...60	
Protection	IP 65	
Tests / approvals		
ATEX marking	 II 3D Ex tc IIIC T105°C Dc X	
EMC	EN 60947-5-2	
MTTF [years]	435	
Mechanical data		
Weight [g]	336.5	
Housing	rectangular	
Dimensions [mm]	105 x 30 x 62	
Materials	housing: PA; bezel: stainless steel; operator interface: TPU; Protective bracket: stainless steel	
Lens material	PMMA	
Lens alignment	side lens	
Displays / operating elements		
Display	switching status	1 x LED, yellow
Teach function	yes	
Electronic lock	yes	

O5P51A



Retro-reflective sensor

O5P-FPKG/US100/3D

Remarks

Pack quantity

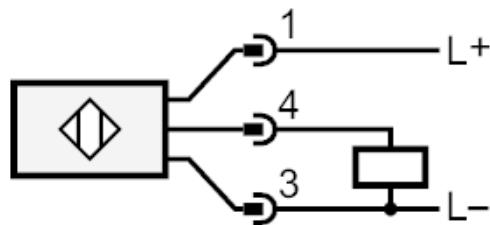
1 pcs.

Electrical connection

Connector: 1 x M12



Connection



O5P51A



Retro-reflective sensor

O5P-FPKG/US100/3D

Diagrams and graphs

excess gain graph

