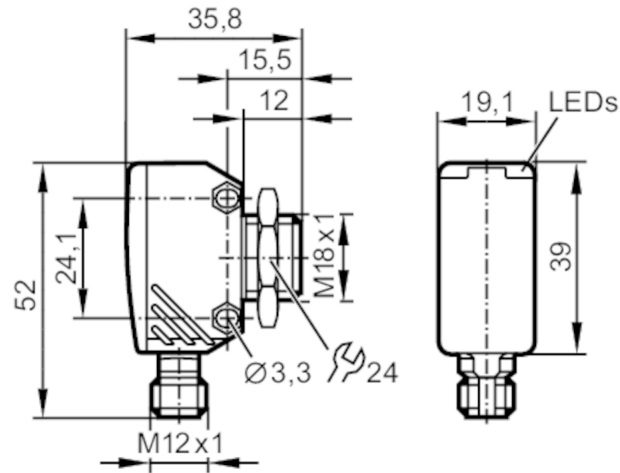




Diffuse reflection sensor with background suppression

OGH-HNKG/US/CUBE/200MM



transmitter in lower lens
receiver in upper lens



Product characteristics

Type of light	red light
Housing	rectangular

Application

Special feature	Background suppression
Function principle	Diffuse reflection sensor

Electrical data

Operating voltage	[V]	10...30 DC
Current consumption	[mA]	30
Protection class		III
Reverse polarity protection		yes
Type of light		red light
Wave length	[nm]	624

Outputs

Electrical design		NPN
Output function		light-on mode
Max. voltage drop switching output DC	[V]	2.5
Permanent current rating of switching output DC	[mA]	200
Switching frequency DC	[Hz]	1000
Short-circuit protection		yes
Type of short-circuit protection		pulsed
Overload protection		yes



Diffuse reflection sensor with background suppression

OGH-HNKG/US/CUBE/200MM

Detection zone		
Range	[mm]	< 200; (white paper 200 x 200 mm 90% remission)
Range on white object (90 % remission)	[mm]	< 200
Range on grey object (18 % remission)	[mm]	< 200
Range on black object (6 % remission)	[mm]	< 190
Range adjustable		no
Max. light spot diameter	[mm]	13
Light spot dimensions refer to		at maximum range
Background suppression available		yes

Operating conditions		
Ambient temperature	[°C]	-25...60
Protection		IP 67

Tests / approvals		
EMC		EN 60947-5-2
MTTF	[years]	782

Mechanical data		
Weight	[g]	58
Housing		rectangular
Materials		diecast zinc; PEI
Lens material		PEI
Lens alignment		side lens

Displays / operating elements		
Display	switching status	1 x LED, yellow
	operation	1 x LED, green

Accessories		
Accessories (supplied)		lock nut: 1 x

Remarks		
Remarks		operating voltage "supply class 2" according to cULus
Pack quantity		1 pcs.

Electrical connection

Connector: 1 x M12



OGH283



Diffuse reflection sensor with background suppression

OGH-HNKG/US/CUBE/200MM

Connection

