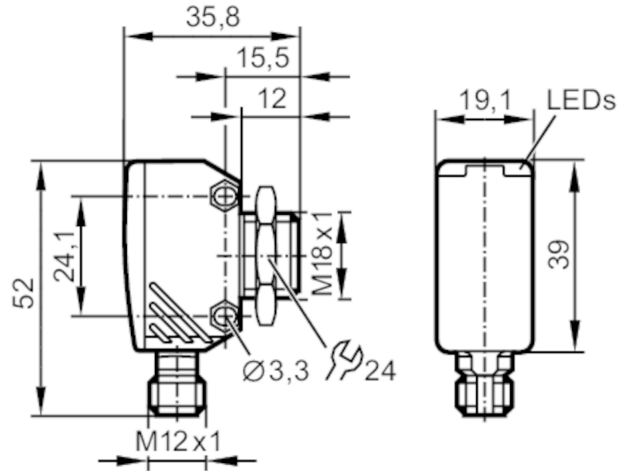


OGP282



Retro-reflective sensor

OGP-DNKG/US/CUBE



transmitter in lower lens
receiver in upper lens



Product characteristics		
Type of light		red light
Housing		rectangular
Application		
Special feature		polarisation filter
Function principle		Retro-reflective sensor
Electrical data		
Operating voltage	[V]	10...30 DC
Current consumption	[mA]	25
Protection class		III
Reverse polarity protection		yes
Type of light		red light
Wave length	[nm]	624
Outputs		
Electrical design		NPN
Output function		dark-on mode
Max. voltage drop switching output DC	[V]	2.5
Permanent current rating of switching output DC	[mA]	200
Switching frequency DC	[Hz]	1000
Short-circuit protection		yes
Type of short-circuit protection		pulsed
Overload protection		yes



Retro-reflective sensor

OGP-DNKG/US/CUBE

Detection zone		
Range referred to prismatic reflector [m]	0.1...4; (Prismatic reflector Ø 80 E20005)	
Range adjustable	no	
Max. light spot diameter [mm]	160	
Light spot dimensions refer to	at maximum range	
Polarisation filter available	yes	
Operating conditions		
Ambient temperature [°C]	-25...60	
Protection	IP 67	
Tests / approvals		
EMC	EN 60947-5-2	
MTTF [years]	905	
Mechanical data		
Weight [g]	59.5	
Housing	rectangular	
Materials	diecast zinc; PEI	
Lens material	PMMA	
Lens alignment	side lens	
Displays / operating elements		
Display	switching status	1 x LED, yellow
	operation	1 x LED, green
Accessories		
Accessories (supplied)	lock nut: 1 x	
Remarks		
Remarks	operating voltage "supply class 2" according to cULus	
Pack quantity	1 pcs.	

Electrical connection

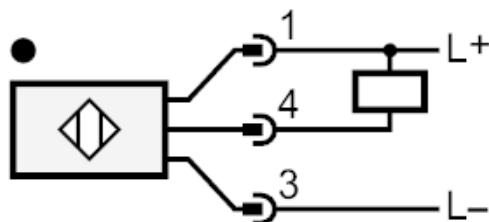
Connector: 1 x M12



Retro-reflective sensor

OGP-DNKG/US/CUBE

Connection



Diagrams and graphs

excess gain graph

