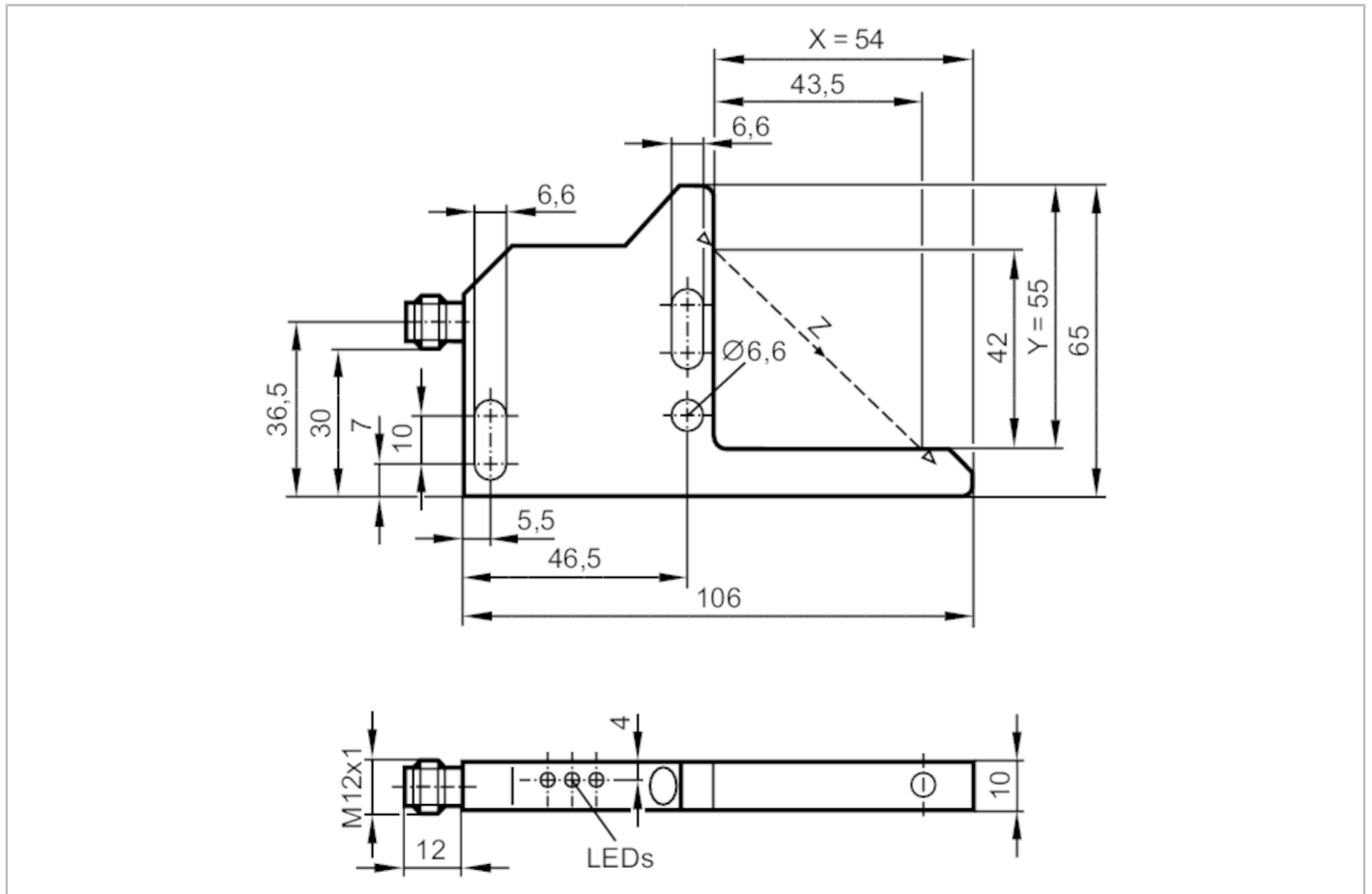


# OPL204



## Photoelectric angle sensor

OPL-DPKG/US



### Product characteristics

Type of light	red light
Dimensions [mm]	65 x 10 x 106

### Application

Special feature	Function check output
-----------------	-----------------------

### Electrical data

Operating voltage [V]	10...35 DC; (operating voltage "supply class 2" according to cULus)
Current consumption [mA]	< 45
Protection class	III
Reverse polarity protection	yes
Type of light	red light
Wave length [nm]	660

# OPL204



## Photoelectric angle sensor

OPL-DPKG/US

Outputs	
Electrical design	PNP
Output function	dark-on mode
Max. voltage drop switching output DC [V]	2
Function check output	yes
Permanent current rating of switching output DC [mA]	200
Switching frequency DC [Hz]	200
Short-circuit protection	yes
Type of short-circuit protection	pulsed
Overload protection	yes

Operating conditions	
Ambient temperature [°C]	-10...60
Protection	IP 67

Tests / approvals	
EMC	EN 60947-5-2
MTTF [years]	919

Mechanical data	
Weight [g]	150
Dimensions [mm]	65 x 10 x 106
Side length X [mm]	54
Side length Y [mm]	55
Sensor width Z [mm]	60.46
Materials	housing: diecast zinc; lens: glass

Displays / operating elements		
Display	switching status	1 x LED, yellow
	operation	1 x LED, green
	function	1 x LED, yellow

Remarks	
Pack quantity	1 pcs.

### Electrical connection

Connector: 1 x M12



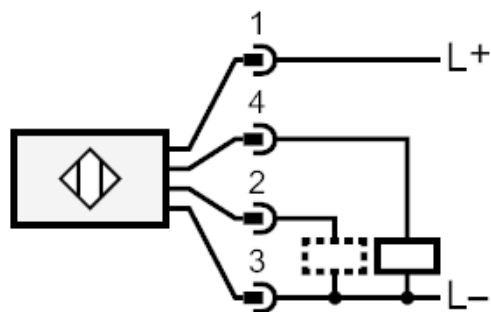
# OPL204



## Photoelectric angle sensor

OPL-DPKG/US

### Connection



2

Function check output