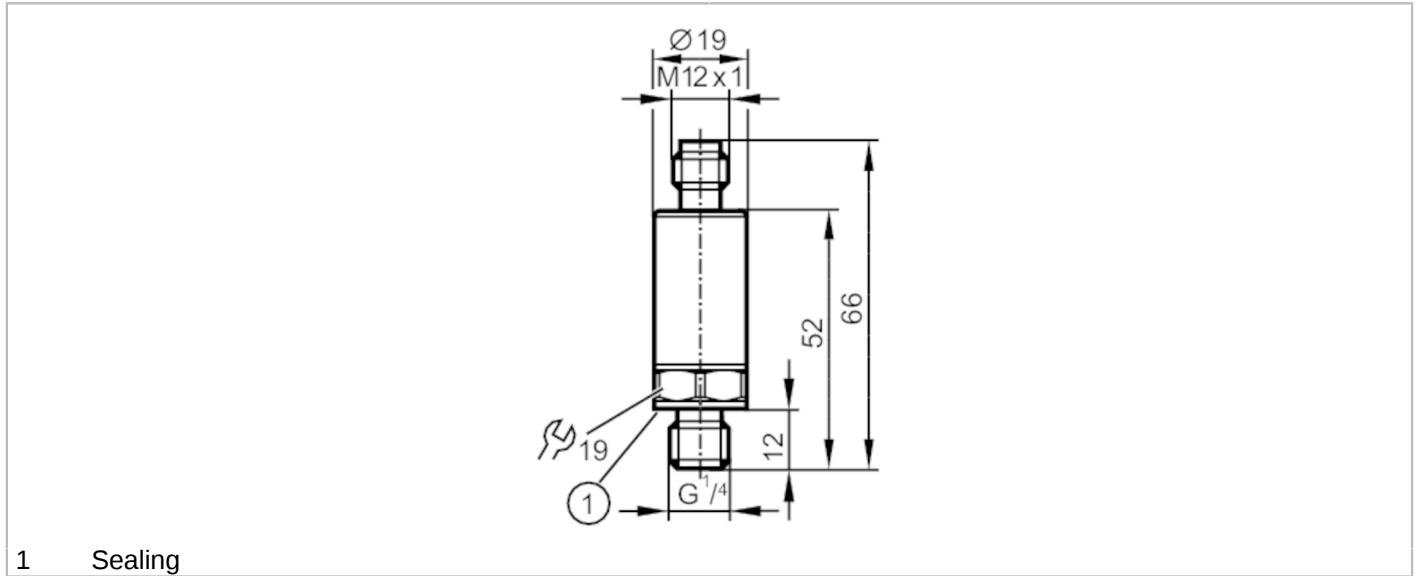


PU5415



Pressure transmitter

PU-006-SEG14-B-DVG/US/ IW



| Product characteristics | | | |
|---------------------------------|---|------------|-------------------------|
| Output signal | analogue signal | | |
| Measuring range | 0...6 bar | 0...87 psi | 0...600 kPa 0...0.6 MPa |
| Process connection | threaded connection G 1/4 external thread (DIN EN ISO 1179-2) | | |
| Application | | | |
| Application | for industrial applications | | |
| Media | liquids and gases | | |
| Medium temperature [°C] | -40...90 | | |
| Pressure rating | 15 bar | 215 psi | 1.5 MPa |
| Note on pressure rating | static | | |
| Min. bursting pressure | 200 bar | 2900 psi | 20 MPa |
| Vacuum resistance [mbar] | -1000 | | |
| Type of pressure | relative pressure | | |
| Electrical data | | | |
| Operating voltage [V] | 16...36 DC | | |
| Current consumption [mA] | < 12 | | |
| Min. insulation resistance [MΩ] | 100; (500 V DC) | | |
| Protection class | III | | |
| Reverse polarity protection | yes | | |
| Inputs / outputs | | | |
| Number of inputs and outputs | Number of analogue outputs: 1 | | |

PU5415



Pressure transmitter

PU-006-SEG14-B-DVG/US/ IW

| Outputs | | | | |
|--|--|------------|---------------------|-------------|
| Total number of outputs | 1 | | | |
| Output signal | analogue signal | | | |
| Number of analogue outputs | 1 | | | |
| Analogue voltage output [V] | 0...10 | | | |
| Min. load resistance [Ω] | 2000 | | | |
| Short-circuit proof | yes | | | |
| Overload protection | yes | | | |
| Measuring/setting range | | | | |
| Measuring range | 0...6 bar | 0...87 psi | 0...600 kPa | 0...0.6 MPa |
| Accuracy / deviations | | | | |
| Repeatability [% of the span] | < $\pm 0,05$; (with temperature fluctuations < 10 K) | | | |
| Characteristics deviation [% of the span] | < $\pm 0,5$; (incl. drift when overtightened, zero point and span error, non-linearity, hysteresis) | | | |
| Linearity deviation [% of the span] | < $\pm 0,1$ (BFSL) / < $\pm 0,2$ (LS) | | | |
| Hysteresis deviation [% of the span] | < $\pm 0,2$ | | | |
| Long-term stability [% of the span] | < $\pm 0,1$; (per 6 months) | | | |
| Temperature coefficient zero point and span [% of the span / 10 K] | < $\pm 0,1$ (-25...90 °C) / < $\pm 0,2$ (-40...-25 °C) | | | |
| Response times | | | | |
| Step response time analogue output [ms] | 1 | | | |
| Operating conditions | | | | |
| Ambient temperature [°C] | -40...90 | | | |
| Storage temperature [°C] | -40...100 | | | |
| Protection | IP 67; IP 69K | | | |
| Tests / approvals | | | | |
| EMC | DIN EN 61000-6-2 | | | |
| | DIN EN 61000-6-3 | | | |
| Shock resistance | DIN EN 60068-2-27 | | 50 g (11 ms) | |
| Vibration resistance | DIN EN 60068-2-6 | | 20 g (10...2000 Hz) | |
| MTTF [years] | 767 | | | |
| UL approval | UL Approval no. | | J031 | |
| Pressure Equipment Directive | Sound engineering practice; can be used for group 2 fluids; group 1 fluids on request | | | |

PU5415



Pressure transmitter

PU-006-SEG14-B-DVG/US/ IW

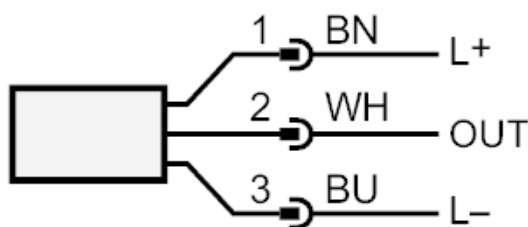
| Mechanical data | |
|-------------------------------|--|
| Weight [g] | 58.5 |
| Materials | 1.4542 (17-4 PH / 630); stainless steel (1.4404 / 316L); PEI |
| Materials (wetted parts) | 1.4542 (17-4 PH / 630) |
| Min. pressure cycles | 60 million; (at 1.2 times nominal pressure) |
| Tightening torque [Nm] | 25...35; (recommended tightening torque; depends on lubrication, seal and pressure rating) |
| Process connection | threaded connection G 1/4 external thread (DIN EN ISO 1179-2) |
| Process connection sealing | FKM (to DIN 3869) |
| Restrictor element integrated | no (can be retrofitted) |
| Remarks | |
| Remarks | BFSL = Best Fit Straight Line LS = limit value setting |
| Pack quantity | 1 pcs. |

Electrical connection

Connector: 1 x M12



Connection



- OUT analogue output
 colours to DIN EN 60947-5-2
 Core colours :
- BN = brown
- BU = blue
- WH = white