

M12 MALE 0° SHIELDED

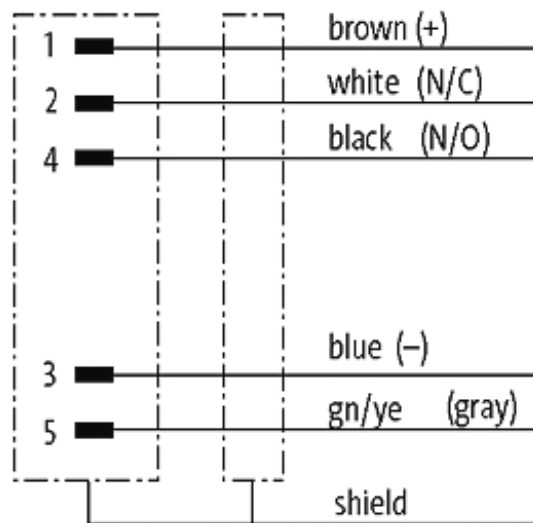
PUR 5X0.34 shielded GRAY, 1m

M12

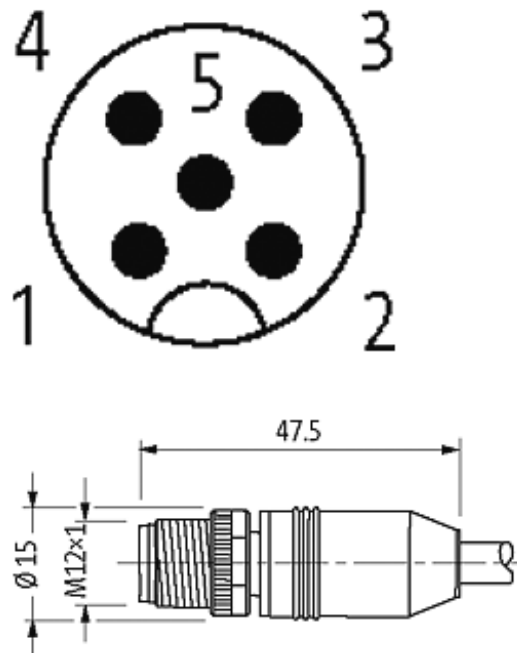
Male straight

5-pole, shielded

Plastic housings with good resistance against chemicals and oils. The resistance to aggressive media should be individually tested for your application. Further details on request. Further cable lengths on request.

[Link to Product](#)**Illustration**

Male



Product may differ from Image

Approvals



Form

13101

Technical Data

| | |
|-------------------------------|---|
| Operating voltage | max. 60 V AC/DC |
| Operating current per contact | max. 4 A |
| Locking of ports | Screw thread M12 × 1 mm (recommended torque 0.6 Nm) self-securing |
| Protection | IP67 inserted and tightened (EN 60529) |

Cables

| | |
|-----------------------------|----------------------------|
| Cable number | 349 |
| No./diameter of wires | 5 × 0.34 mm ² |
| Wire isolation | PVC (br, wh, bl, bk, gnye) |
| C-track properties | 0.1 Mio. |
| Jacket Color | gray |
| Shore hardness outer jacket | 85 ± 5A |
| Material (jacket) | PUR/PVC |

The information in this brochure has been compiled with the utmost care.

Liability for the correctness completeness and topicality of the information is restricted to gross negligence. Version: 05/15

| | |
|----------------------------|----------------|
| Outer diameter | approx. 5.9 mm |
| Bend radius (fixed) | 10 × outer Ø |
| Bend radius (moving) | 15 × outer Ø |
| Temperature range (fixed) | -40...+80 °C |
| Temperature range (mobile) | -5...+70 °C |
| Shielded | yes |

Commercial data

| | |
|------------------------|----------|
| country of origin | DE |
| customs tariff number | 85444290 |
| minimum order quantity | 1 |