



SIRIUS POSITION SWITCH PLASTIC ENCLOSURE  
40MM, TO EN50041 DEVICE CONNECTION 1X  
(M20X1.5) 1NO/2NC SNAP-ACTION CONTACTS  
ROUNDED PLUNGER OF PLASTIC

Figure similar

|   |  |  |
|---|--|--|
| Product designation   |  | standard position switch   |
| <b>Manufacturer article number</b>  |  |  |
| <ul style="list-style-type: none"> <li>• of the supplied basic switch</li> <li>• of the supplied actuator head for position switches</li> <li>• of the supplied switching contacts</li> <li>• of the supplied empty enclosure with cover</li> </ul> |  | <a href="#">3SE5132-0LA00</a><br><a href="#">3SE5000-0AC03</a><br><br><a href="#">3SE5000-0LA00</a><br><a href="#">3SE5132-0AA00</a> |

General technical data:

|  |    |              |
|--|----|--------------|
| <b>Product function</b>  |    |              |
| <ul style="list-style-type: none"> <li>• positive opening</li> </ul>   |    | Yes          |
| <b>Insulation voltage</b>  |    |              |
| <ul style="list-style-type: none"> <li>• Rated value</li> </ul>  | V  | 400          |
| <b>Degree of pollution</b>   |    | class 3      |
| <b>Shock resistance</b>  |    | 30g / 11 ms  |
| <b>Vibration resistance</b>  |    | 0.35 mm / 5g |
| <b>Surge voltage resistance Rated value</b>  | kV | 6            |
| <b>Mechanical service life (switching cycles)</b>  |    |              |
| <ul style="list-style-type: none"> <li>• typical</li> </ul>  |    | 15 000 000   |
| <b>Electrical endurance (switching cycles)</b>   |    |              |
| <ul style="list-style-type: none"> <li>• at AC-15 at 230 V typical</li> </ul>  |    | 100 000      |
| <b>Electrical endurance (switching cycles) with contactor 3RH11, 3RT1016, 3RT1017, 3RT1024, 3RT1025, 3RT1026 typical</b> |    | 10 000 000   |
| <b>Electrical operating cycles in one hour with contactor 3RH11, 3RT1016, 3RT1017, 3RT1024, 3RT1025, 3RT1026</b>         |    | 6 000        |

|  |    |            |
|--|----|------------|
| <b>Thermal current</b>   | A  | 10         |
| <b>Material of the enclosure of the switch head</b>  |    | plastic    |
| <b>Protection class IP</b>   |    | IP66/IP67  |
| <b>Equipment marking</b>   |    | B          |
| <ul style="list-style-type: none"> <li>• acc. to DIN EN 61346-2</li> <li>• acc. to DIN EN 81346-2</li> </ul> |    | B          |
| <b>Active principle</b>  |    | mechanical |
| <b>Repeat accuracy</b>   | mm | 0.05       |
| Explosion protection category for dust   |    | none       |
| Explosion protection category for gas  |    | none       |
| Minimum actuating force in activation direction  | N  | 20         |
| <b>Operating current at AC-15</b>  |    |            |
| <ul style="list-style-type: none"> <li>• at 230 V Rated value</li> <li>• at 400 V Rated value</li> </ul>     | A  | 1.5        |
|  | A  | 4          |
| <b>Operating current</b>   |    |            |
| <ul style="list-style-type: none"> <li>• at DC-13 at 125 V Rated value</li> </ul>                            | A  | 0.55       |
| <b>Operating current</b>   |    |            |
| <ul style="list-style-type: none"> <li>• at DC-13</li> <li>— at 24 V Rated value</li> </ul>                  | A  | 3          |

| Enclosure:                                    |  |               |
|---|--|---------------|
| <b>Design of the housing</b>                  |  | block, narrow |
| <b>Material of the enclosure</b>              |  | plastic       |
| <b>Coating of the enclosure</b>               |  | Other types   |
| <b>Design of the housing acc. to standard</b> |  | Yes           |

| Drive Head:                              |  |                    |
|--|--|--------------------|
| <b>Design of the operating mechanism</b> |  | plastic plunger    |
| <b>Standard-compliant actuator head</b>  |  | EN 50041, design B |
| <b>Shape of the switch head</b>          |  | rounded            |
| <b>Design of the switching function</b>  |  | positive opening   |

| Connections/ Terminals:   |  |   |
|---|--|---|
| <b>Type of electrical connection</b>  |  | screw-type terminals  |
| <b>Type of connectable conductor cross-section</b>  |  |   |
| <ul style="list-style-type: none"> <li>• solid</li> <li>• finely stranded with core end processing</li> <li>• finely stranded without core end processing</li> <li>• for AWG conductors</li> <li>— solid</li> <li>— stranded</li> </ul> |  | 1x (0.5 ... 1.5 mm <sup>2</sup> ), 2x (0.5 ... 0.75 mm <sup>2</sup> ) |
|   |  | 1x (0.5 ... 1.5 mm <sup>2</sup> ), 2x (0.5 ... 0.75 mm <sup>2</sup> ) |
|   |  | 1x (0.5 ... 1.5 mm <sup>2</sup> ), 2x (0.5 ... 0.75 mm <sup>2</sup> ) |
|   |  | 1x (20 ... 16), 2x (20 ... 18)  |
|   |  | 1x (20 ... 16), 2x (20 ... 18)  |

| Mechanical data:        |  |                |
|-------------------------|--|----------------|
| <b>Cable entry type</b> |  | 1x (M20 x 1.5) |

| Communication/ Protocol: |  |  |
|--------------------------|--|--|
|--------------------------|--|--|

|                         |  |         |
|-------------------------|--|---------|
| Design of the interface |  | without |
|-------------------------|--|---------|





#### Ambient conditions:

|                            |    |             |
|----------------------------|----|-------------|
| <b>Ambient temperature</b> |    |             |
| • during operation         | °C | -25 ... +85 |
| • during storage           | °C | -40 ... +90 |

#### Installation/ mounting/ dimensions:

|                   |  |              |
|-------------------|--|--------------|
| mounting position |  | any          |
| Mounting type     |  | screw fixing |

#### Certificates/ approvals:

| General Product Approval   | Declaration of Conformity   | Test Certificates   | other   |
|--|---|---|---|
| <br>CSA | <br>UL |  | <br>EG-Konf. |
|  |   | <a href="#">Special Test Certificate</a>  | <a href="#">Confirmation</a>  |

#### Further information

##### Information- and Downloadcenter (Catalogs, Brochures,...)

<http://www.siemens.com/industrial-controls/catalogs>

##### Industry Mall (Online ordering system)

<http://www.siemens.com/industrymall>

##### Cax online generator

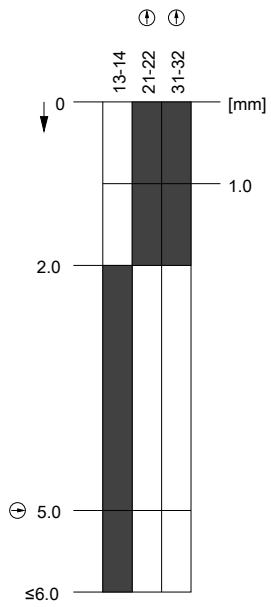
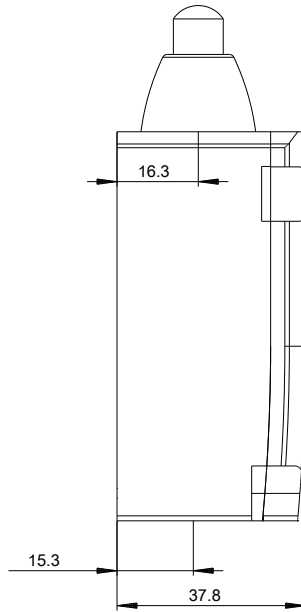
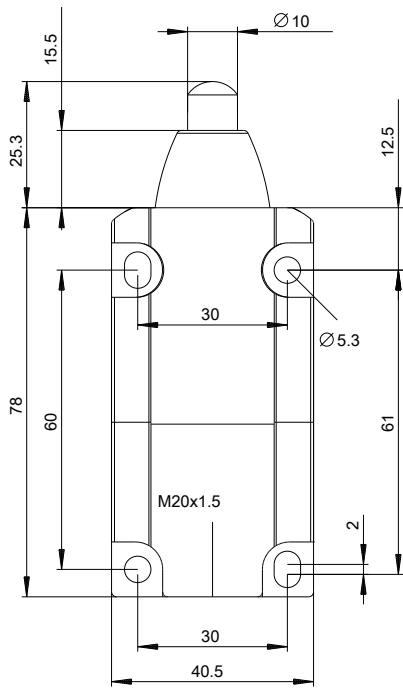
<http://support.automation.siemens.com/WW/CAXorder/default.aspx?lang=en&mlfb=3SE51320LC03>

##### Service&Support (Manuals, Certificates, Characteristics, FAQs,...)

<http://support.automation.siemens.com/WW/view/en/3SE51320LC03/all>

##### Image database (product images, 2D dimension drawings, 3D models, device circuit diagrams, EPLAN macros, ...)

[http://www.automation.siemens.com/bilddb/cax\\_de.aspx?mlfb=3SE51320LC03&lang=en](http://www.automation.siemens.com/bilddb/cax_de.aspx?mlfb=3SE51320LC03&lang=en)



last modified:

09.03.2015