

PLUG-IN UNIT CONVERSION KIT FOR MCCB ACCESSORY FOR:
CIRCUIT BREAKER, 4 POLE 3VA6 150/250



| Model | |
|-----------------------|--------------|
| Product brand name | SENTRON |
| Product designation | Accessories |
| Design of the product | Plug-in unit |
| accessories | Plug-in unit |

Certificates

| General Product Approval | EMC | Declaration of Conformity | other |
|--------------------------|-----|---------------------------|-------|
|--------------------------|-----|---------------------------|-------|



[Miscellaneous](#)

Further information

Information- and Downloadcenter (Catalogs, Brochures,...)

<http://www.siemens.com/lowvoltage/catalogs>

Industry Mall (Online ordering system)

<https://mall.industry.siemens.com/mall/en/en/Catalog/product?mfb=3VA9144-0KP10>

Service&Support (Manuals, Certificates, Characteristics, FAQs,...)

<https://support.industry.siemens.com/cs/ww/en/ps/3VA9144-0KP10>

Image database (product images, 2D dimension drawings, 3D models, device circuit diagrams, ...)

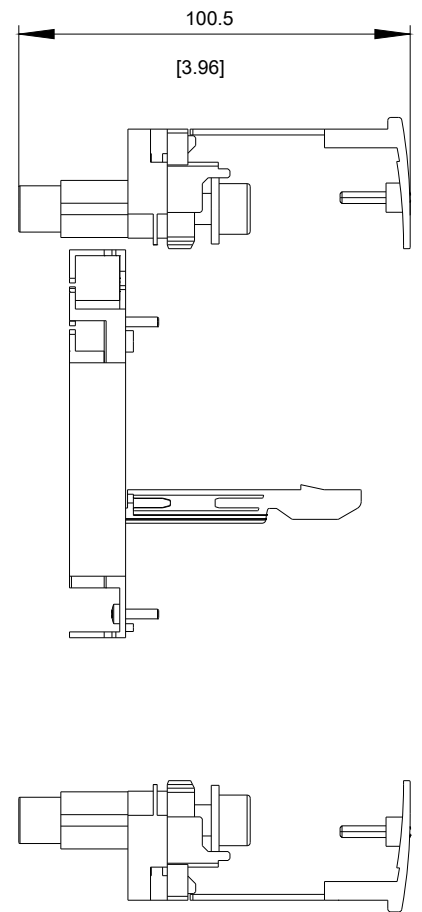
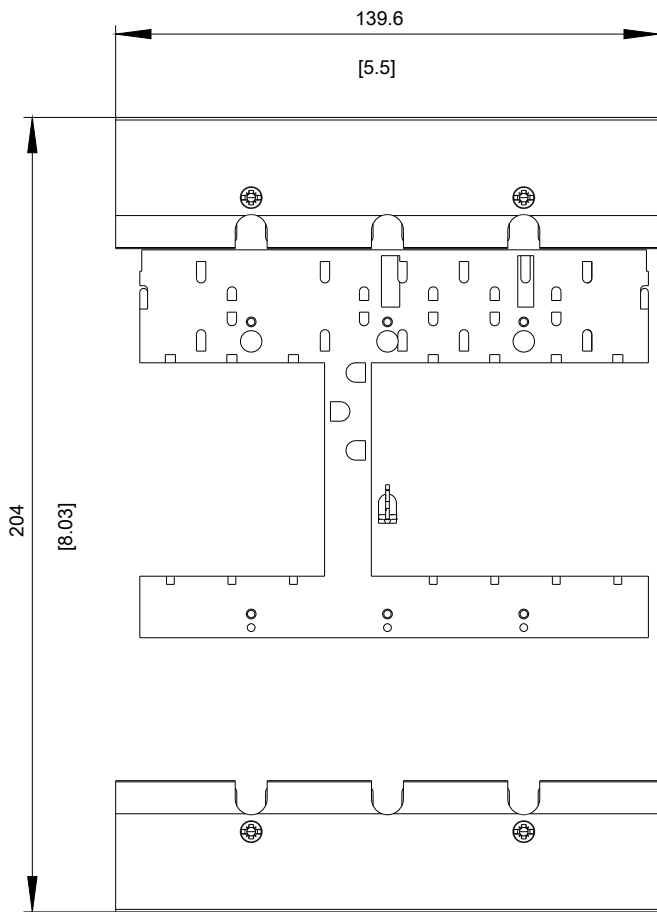
http://www.automation.siemens.com/bilddb/cax_en.aspx?mlfb=3VA9144-0KP10

CAX-Online-Generator

<http://www.siemens.com/cax>

Tender specifications

<http://www.siemens.com/specifications>



last modified:

08/28/2017