

Through-Beam Sensor

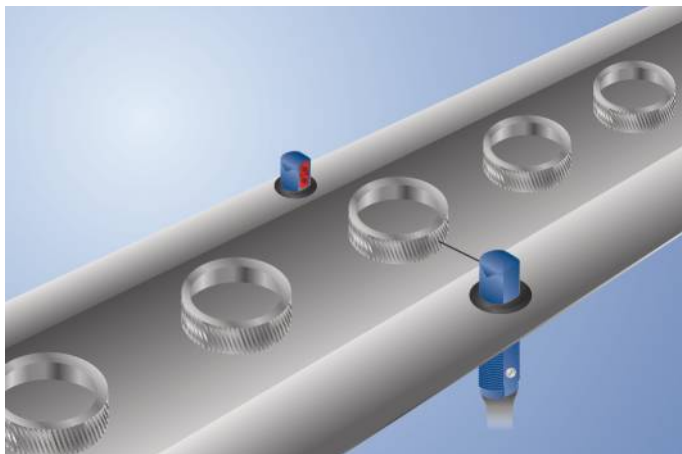
OSWK803Z0091

Part Number



- Clever inclusive mounting technology
- Large working range
- Minimal installation space
- Simple installation
- Test input

These through-beam sensors are best suited for use in industrial environments. Thanks to their large working range, the devices demonstrate excellent functional reliability in highly contaminated environments. The sensors can be checked for correct functioning via the test input.

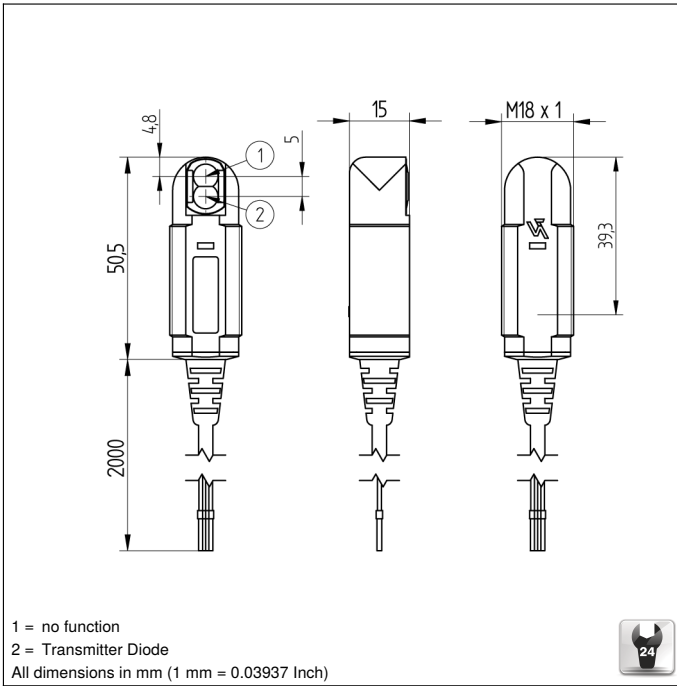


Technical Data

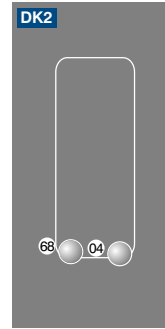
Optical Data	
Range	8000 mm
Light Source	Red Light
Service Life (T = +25 °C)	100000 h
Opening Angle	5 °
Electrical Data	
Sensor Type	Emitter
Supply Voltage	10...30 V DC
Current Consumption (U _b = 24 V)	< 15 mA
Temperature Drift	< 10 %
Temperature Range	-25...60 °C
Reverse Polarity Protection	yes
Test input	yes
Protection Class	III
Mechanical Data	
Housing Material	Plastic
Degree of Protection	IP67
Connection	Cable, 3-wire, 2 m
Scope of delivery	Mounting Console
Connection Diagram No.	803
Control Panel No.	DK2
Suitable Mounting Technology No.	150

Suitable Receiver

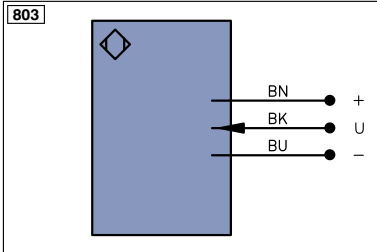
OEWK803A0091



Ctrl. Panel



04 = Function Indicator
 68 = Supply Voltage Indicator



Legend

+	Supply Voltage +	PT	Platinum measuring resistor	EN ^{0.6542z}	Encoder A/Ā (TTL)
-	Supply Voltage 0 V	nc	not connected	EN ^{0.7542z}	Encoder B/B̄ (TTL)
~	Supply Voltage (AC Voltage)	U	Test Input	EN _A	Encoder A
A	Switching Output (NO)	Ū	Test Input inverted	EN _B	Encoder B
Ā	Switching Output (NC)	W	Trigger Input	A _{MIN}	Digital output MIN
V	Contamination/Error Output (NO)	W-	Ground for the Trigger Input	A _{MAX}	Digital output MAX
Ṽ	Contamination/Error Output (NC)	O	Analog Output	A _{OK}	Digital output OK
E	Input (analog or digital)	O-	Ground for the Analog Output	SY _{in}	Synchronization In
T	Teach Input	BZ	Block Discharge	SY _{OUT}	Synchronization OUT
Z	Time Delay (activation)	A _{WV}	Valve Output	OL _T	Brightness output
S	Shielding	a	Valve Control Output +	M	Maintenance reserved
RxD	Interface Receive Path	b	Valve Control Output 0 V	rsv	reserved
TxD	Interface Send Path	SY	Synchronization	Wire Colors according to DIN IEC 757	
RDY	Ready	SY-	Ground for the Synchronization	BK	Black
GND	Ground	E+	Receiver-Line	BN	Brown
CL	Clock	S+	Emitter-Line	RD	Red
E/A	Output/Input programmable	±	Grounding	OG	Orange
	IO-Link	S _{nR}	Switching Distance Reduction	YE	Yellow
PoE	Power over Ethernet	Rx+/-	Ethernet Receive Path	GN	Green
IN	Safety Input	Tx+/-	Ethernet Send Path	BU	Blue
OSSD	Safety Output	Bus	Interfaces-Bus A(+)/B(-)	VT	Violet
Signal	Signal Output	L _a	Emitted Light disengageable	GY	Grey
Bl_D+/-	Ethernet Gigabit bidirect. data line (A-D)	Mag	Magnet activation	WH	White
EN ^{0.6542z}	Encoder 0-pulse 0-0̄ (TTL)	RES	Input confirmation	PK	Pink
		EDM	Contacting Monitoring	GNYE	Green/Yellow

