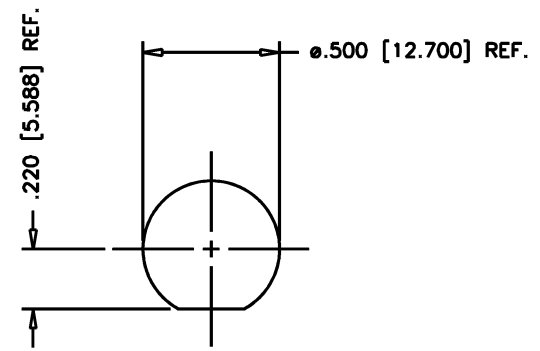
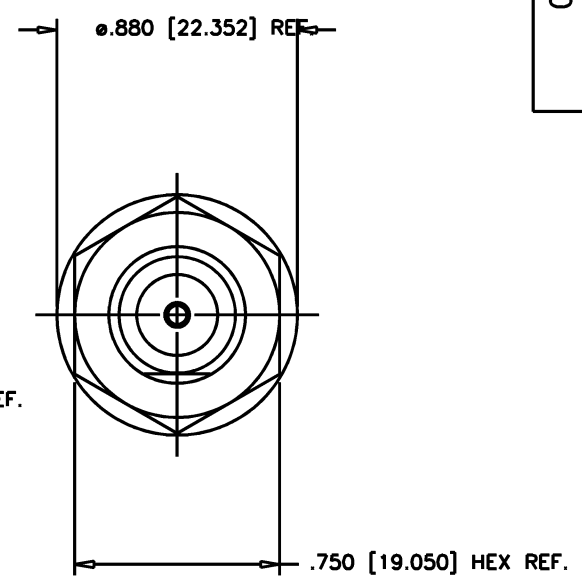
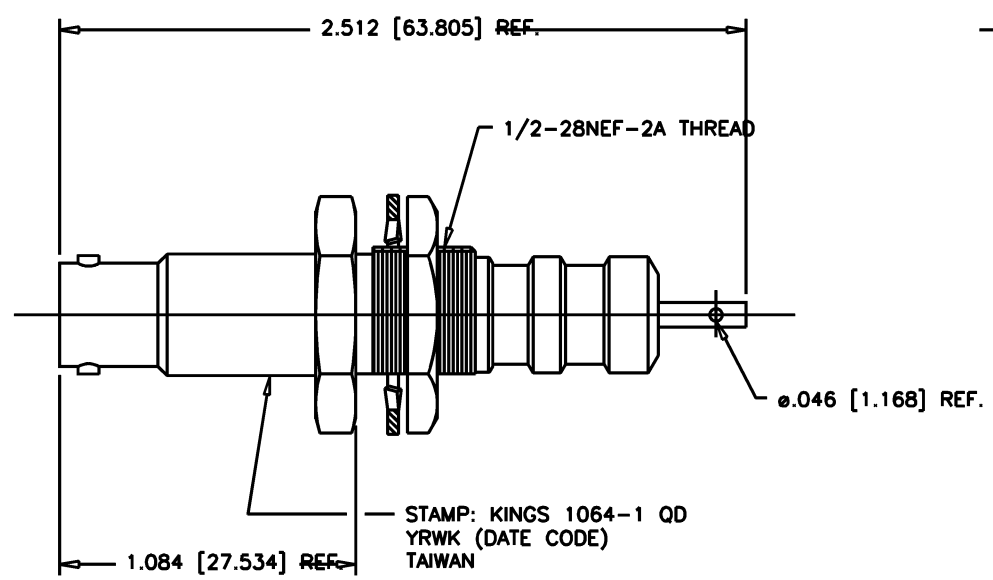


DASH NO.	M CODE	MADE FROM
----------	--------	-----------

GSD

1064-1 QD

REVISIONS	
ISSUE	CHANGES
5	CN 39738 C REDRAWN HVN 12/18/06



- NOTES:
- MATERIALS:
INSULATOR: TEFLON, ASTM-D4894
LOCKWASHER: PHOSPHOR BRONZE, ASTM-B103
ALL OTHER METAL PARTS: BRASS, ASTM-B16
 - FINISHES:
CENTER CONTACT: GOLD PLATE PER ASTM-B488
C-RING: SILVER PLATE PER ASTM-B700
ALL OTHER METAL PARTS: KINGS TARNISH RESISTANT FINISH (TR-5)
 - ELECTRICAL CHARACTERISTICS:
NOMINAL IMPEDANCE: NON-CONSTANT
VOLTAGE RATING: 10,000 VDC
 - DIMENSIONS ARE IN INCHES [MM]

1064-1 QDS

SCALE 2 : 1	
APPROX SURFACE AREA	
USED ON	
REF:	
10 KV BULKHEAD RECEPTACLE	
DRAWN H. NGUYEN	DATE 12/18/06
DESIGN AT	DATE 06/22/67
APPR.	DATE

KINGS
ELECTRIFIER CO., INC.
ROCK HILL, SOUTH CAROLINA 29730

GSD

1064-1 QD