

Pushbutton Switch

multicomp PRO



Features:

- Material: Actuators and frames are nylon. Terminals are silver plated brass

Specifications:

Rating	: 3A, 125V AC 1.5A, 250V AC
Contact Resistance	: 50mΩ Max.
Insulation Resistance	: 500V DC, 100MΩ Max.
Dielectric Strength	: 1,000V AC for 1 minute
Frame Body Colour	: Black
Actuator Knob Colour	: Black and Red

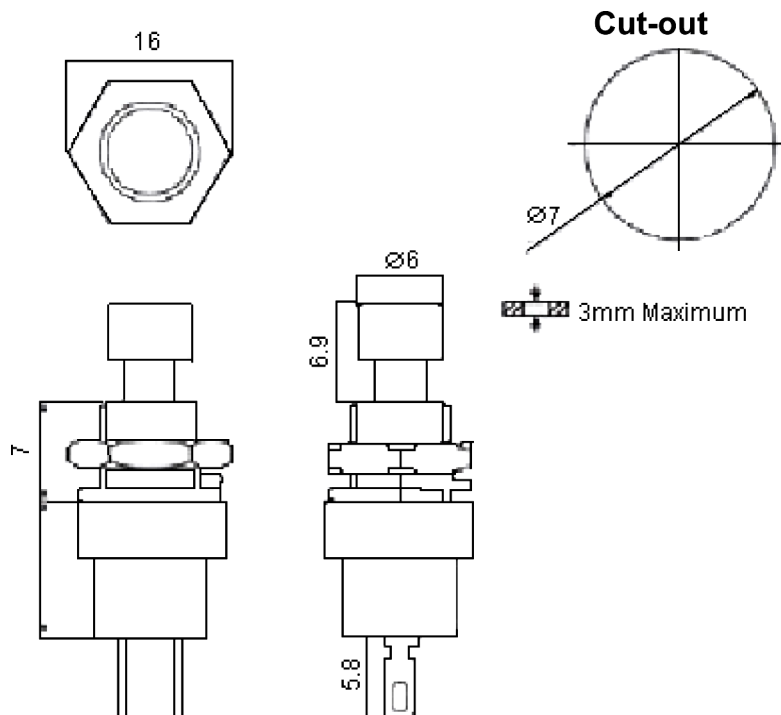
Scope:

These requirements cover manually and mechanically operable special-use switches:

That is for use on direct current as well as on alternating current only.

For which the load ratings do not exceed 60 amperes at 250V or a lower potential and 30 amperes or 2 horsepower at 600V or a lower potential.

Diagram



Dimensions : Millimetres

Newark.com/multicomp-pro
Farnell.com/multicomp-pro
Element14.com/multicomp-pro

multicomp PRO

Electrical Ratings:

Item	Requirements
Rated voltage and current	(base on switch type)
Contact resistance (new state)	<100mΩ (5V, 1A DC)
Dielectric strength (new state)	>1,000V >2,500V (10mA between the contacts)
Insulation resistance (new state)	>100MΩ (500V DC between the open contacts)
Inrush current	50A/3msec (capacitive load)
Electrical life endurance	>6,000 operations Volt drop: <100mV >10,000 operations
Temperature rise at the terminals (according to electrical life endurance)	<30°C - 6,000 operations <45°C - 10,000 operations (ambient conditions : 25 ±2°C and 65 ±5%R.H)

Mechanical Characteristics:

Actuating force	(base on switch type)
Operating life endurance	>100,000 operations
Terminal strength	>2.5kg - solder terminal >6.8kg - plug-in/screw terminal
Solderability of terminals	Maximum 350°C/3sec (no pressure may be exerted on the terminals when soldering by hand)

Environmental:

Ambient temperature	-20°C to +65°C
Humidity	Maximum 85%
Salt spray test	No remarkable rust in metal parts (5% salt/35°C 24hrs)
Shock test	No mechanical defect or damage (100g/10msec X, Y, Z 3 times)
Vibration test	No mechanical defect damage (10-55Hz/1.5mm/X, Y, Z 2hrs)

Part Number Table

Description	Part Number
Switch	R13-509B-05-BR

Important Notice : This data sheet and its contents (the "Information") belong to the members of the AVNET group of companies (the "Group") or are licensed to it. No licence is granted for the use of it other than for information purposes in connection with the products to which it relates. No licence of any intellectual property rights is granted. The Information is subject to change without notice and replaces all data sheets previously supplied. The Information supplied is believed to be accurate but the Group assumes no responsibility for its accuracy or completeness, any error in or omission from it or for any use made of it. Users of this data sheet should check for themselves the Information and the suitability of the products for their purpose and not make any assumptions based on information included or omitted. Liability for loss or damage resulting from any reliance on the Information or use of it (including liability resulting from negligence or where the Group was aware of the possibility of such loss or damage arising) is excluded. This will not operate to limit or restrict the Group's liability for death or personal injury resulting from its negligence. Multicomp Pro is the registered trademark of Premier Farnell Limited 2019.