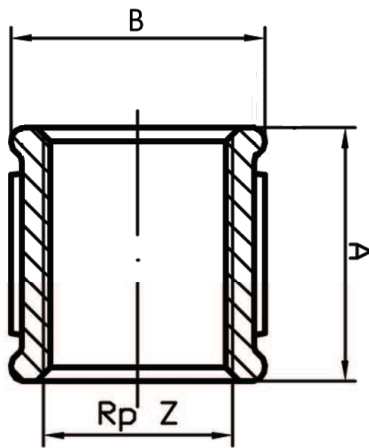


# TECHNICAL INFORMATION

Type 270  
Socket, equal F/F  
M2



SIZE	A [mm]	B [mm]	Rp z
1/4"	27	20	1/4"
3/8"	30	25	3/8"
1/2"	36	29	1/2"
3/4"	39	35,8	3/4"
1"	45	43	1"
1 1/4"	50	52,5	1 1/4"
1 1/2"	55	59	1 1/2"
2"	65	72,5	2"
2 1/2"	74	89	2 1/2"
3"	80	103,5	3"
4"	94	130,5	4"

## Technical characteristics:

- products according to DIN EN 10242, Design Symbol A
- certified by DVGW CERT