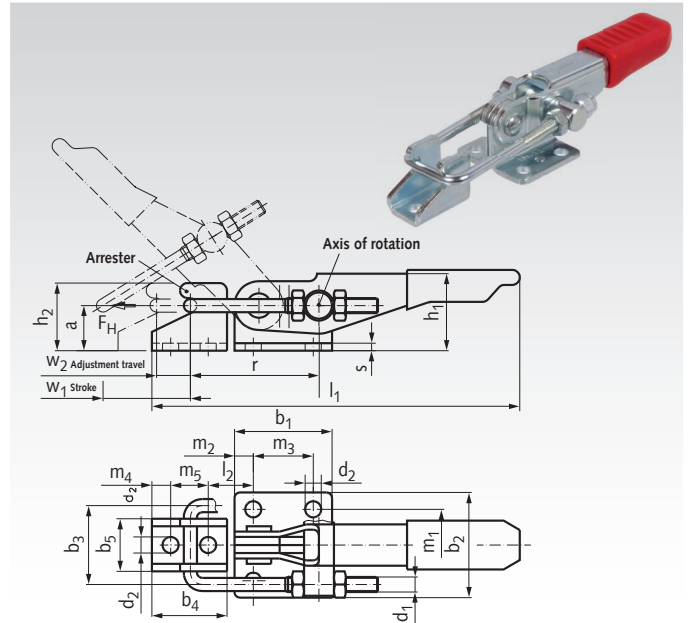


Latch Clamps

Material: Sheet-metal parts: Case-hardened steel C10, zinc-plated, blue passivated.
 Pulling latch: Steel St37, zinc-plated, blue passivated.
 Handle with plastic sleeve, red, oil resistant.

Latch clamps allow a fast and secure locking of lids and covers. The stroke of the pulling ledge can be adjusted within its range. In the clamped position the pulling ledge with its clamping arm is parallel to the plane of the operating handle. Latch bracket included in the delivery.



Ordering Details: e.g.: Product No. 676 204 00, Latch Clamp, Size 160

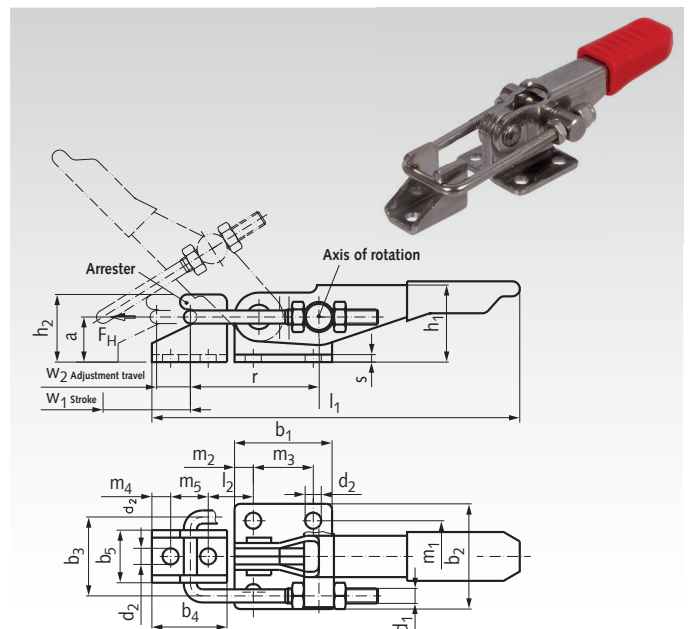
Product No.	Size	Holding Force F_H N	approx. Dimensions																	Weight g				
			a	b_1	b_2	b_3	b_4	b_5	d_1	d_2	h_1	h_2	l_1	l_2	m_1	m_2	m_3	m_4	m_5		r	s	w_1	w_2
676 204 00	160	1600	12	26	28	21	20	14	M4	4,3	22	18	98	11	19	5,0	16,0	5,0	10	34	2,0	25	11	85
676 206 00	320	3200	16	40	44	32	28	22	M6	6,5	30	25	152	19	32	10,5	19,0	7,0	14	57	3,0	48	13	250
676 208 00	700	7000	24	60	54	39	38	26	M8	8,5	42	36	220	23	38	9,5	41,5	9,5	19	74	3,5	58	26	625

Latch Clamps, Stainless Steel

Material: Sheet-metal parts: 1.4301 (AISI 304).
 Pulling latch: 1.4305 (AISI 303).
 Handle: Plastic sleeve, red, oil resistant.



Latch clamps allow a fast and secure locking of lids and covers. The stroke of the pulling ledge can be adjusted within its range. In the clamped position the pulling ledge with its clamping arm is parallel to the plane of the operating handle. Latch bracket included in the delivery.



Ordering Details: e.g.: Product No. 676 992 04, Latch Clamp, Stainless Steel, Size 160

Product No.	Size	Holding Force F_H N	approx. Dimensions																	Weight g				
			a	b_1	b_2	b_3	b_4	b_5	d_1	d_2	h_1	h_2	l_1	l_2	m_1	m_2	m_3	m_4	m_5		r	s	w_1	w_2
676 992 04	160	1600	12	26	28	21	20	14	M4	4,3	22	18	98	11	19	5,0	16	5	10	37	2	25	11	85
676 992 06	320	3200	16	40	44	32	28	22	M6	6,5	30	25	152	19	32	10,5	19	7	14	57	3	48	13	250