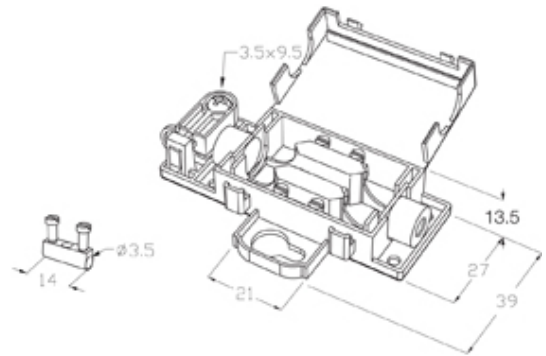


THB.110.C6B

TeeBox 2.5mm conductor max IP44 rated Screw fixing 2 cable entries, 3 poles with wire protector and double cable clamp



SPECIFICATION

Cable Entries	2
Number of Poles	3
Terminal Type	Screw - wp
Body Material	PA66
IP Rating	44
Max Conductor Size (Sq mm)	2.5
Max Current (A)	24
Max Voltage (V)	450
Minimum Temp Rating °C	-40
Max Temp Rating °C	125
Maximum Cable Diameter (mm)	9
Fixing System	Screw
Temperature "T" Rating	T85

DISTRIBUTORS

