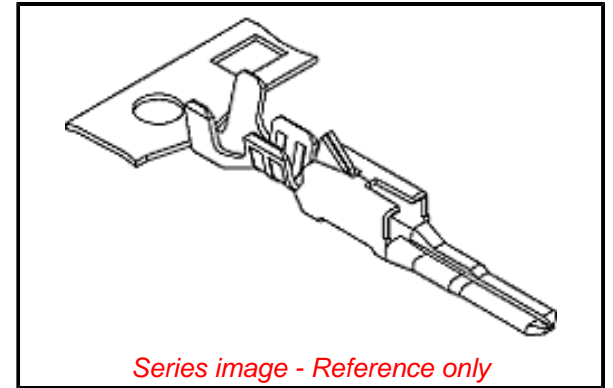


PLEASE CHECK WWW.MOLEX.COM FOR LATEST PART INFORMATION

Part Number: **0503988000**
Status: **Active**
Overview: CP Wire-to-Board and Wire-to-Wire Connector Systems
Description: 2.50mm and 3.30mm Pitch Crimp Terminal, Male, 22-28 AWG, Reel

Documents:

3D Model	Application Specification 5056050000-A01 (PDF)
Drawing (PDF)	Application Specification AS-504693-001-001 (PDF)
Product Specification 5056050000-000 (PDF)	Application Specification AS-504693-002-001 (PDF)
Product Specification PS-500592-001-001 (PDF)	Packaging Specification 503989200-200 (PDF)
Product Specification PS-504693-001-001 (PDF)	RoHS Certificate of Compliance (PDF)
Product Specification PS-51111-001 (PDF)	Product Literature (PDF)
Application Specification 5056050000-A00 (PDF)	



General

Product Family	Crimp Terminals
Series	50398
Application	Signal, Wire-to-Wire
Crimp Quality Equipment	Yes
Overview	CP Wire-to-Board and Wire-to-Wire Connector Systems
Packaging Alternative	50398-8100 (Loose)
Product Literature Order No	987651-6581
Product Name	CP-3.3
UPC	800753630284

Physical

Gender	Male
Material - Metal	Phosphor Bronze
Material - Plating Mating	Tin
Material - Plating Termination	Tin
Net Weight	125.900/mg
Packaging Type	Reel
Plating min - Mating	0.914µm
Plating min - Termination	0.914µm
Termination Interface: Style	Crimp or Compression
Wire Insulation Diameter	1.15-1.80mm
Wire Size AWG	22, 24, 26, 28
Wire Size mm ²	N/A

Electrical

Current - Maximum per Contact	3.0A
Voltage - Maximum	300V AC (RMS)/DC

Material Info

Reference - Drawing Numbers

Application Specification	5056050000-A00, 5056050000-A01, AS-504693-001-001, AS-504693-002-001
Packaging Specification	503989200-200
Product Specification	5056050000-000, PS-500592-001-001, PS-504693-001-001, PS-51111-001
Sales Drawing	SD-50398-001

EU ELV

Not Relevant

EU RoHS

Compliant

REACH SVHC

Not Contained Per -
ED/61/2018 (27 June
2018)

Halogen-Free

Status

Low-Halogen

For more information, please visit [Contact US](#)

China ROHS

ELV

RoHS Phthalates

China RoHS

Green Image

Not Relevant

Not Contained

Search Parts in this Series

50398 Series

Use With

51112 , 504694 , 505606