

27mm Size Metal Shaft Type / Other Specifications

In addition to the products listed, we can accommodate the follow specifications.

Products Specification

Type	Model	Mounting height (mm)	Detent variety	Gang error ※
Single-shaft, single-unit	RK27111	12.5	Center 21 31 41	—
Single-shaft, dual-unit	RK27112			—60dB to 0dB within 3dB
Single-shaft, quad-unit	RK27114			—80dB to —60dB within 5dB possible depending on total resistance and taper.

Total Resistance Variety

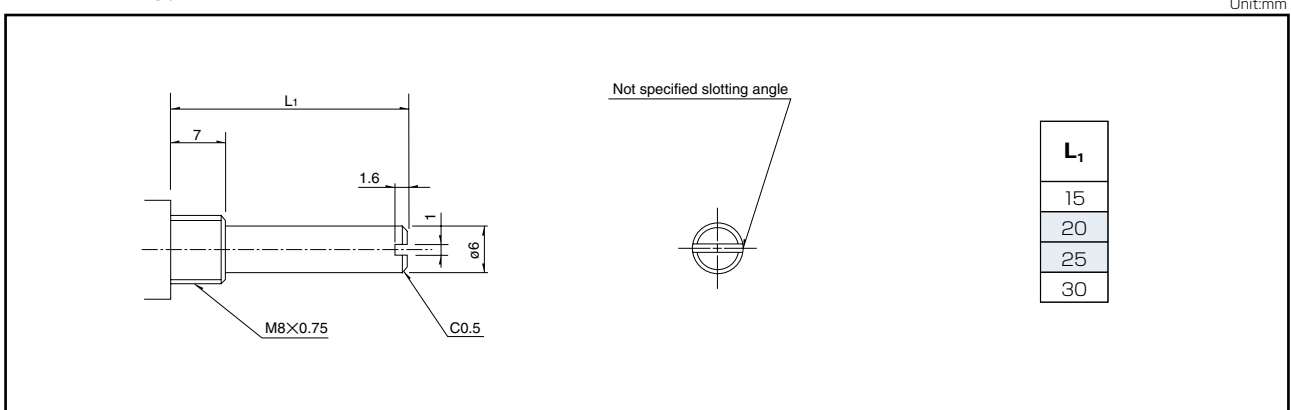
Total resistance (kΩ)	5	10	20	50	100	250
-----------------------	---	----	----	----	-----	-----

Resistance Taper

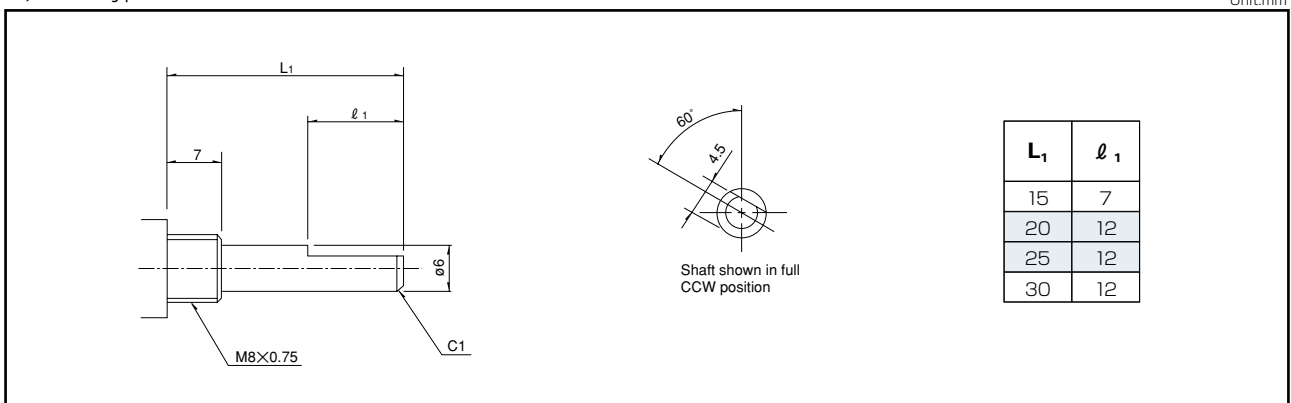
Resistance taper	15A	3B
------------------	-----	----

Dimensions of Shaft

1) Slotted type



2) Flat type



Note

Marked are specifications recommended by Alps Alpine.

※ The gang error of single-shaft, 4-gang potentiometers is the gang error between R1 and R2 and between R3 and R4. The gang error for 5kΩ is within 3dB at —50dB to 0dB.

27mm Size Metal Shaft Type / Ordering Products Not Listed

When ordering product varieties that are not listed, specify referring to the examples below.

Sample Part Number

R K 2 7 1 1 2 A 0 - **S 2 5** - **C 0** - **A 1 0 4**

Model type

Code	Model type
111	Single-unit without detent
112	Single-unit, with detent
12A	Dual-unit for vol. (without detent)
12B	Dual-unit for vol. (with detent)
14A	Quad-unit for vol. (without detent)
14B	Quad-unit for vol. (with detent)

Shaft type

Code	Shaft type
F	Flat
S	Slotted

Length of the shaft L₁ (mm)

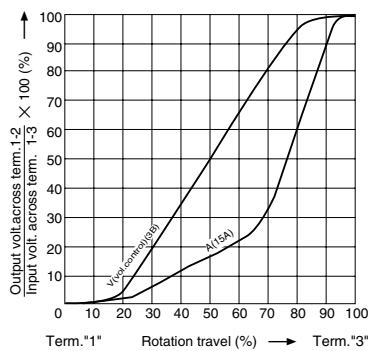
Code	Length of the shaft	Code	Length of the shaft
15	15	25	25
20	20	30	30

Detent

Code	Detent	Code	Detent
C0	Without	31	31
C1	Center	41	41
21	21	—	—

Resistance taper

Code	Resistance taper
A	15A
V	3B



Total resistance

Code	Total resistance (k Ω)	Code	Total resistance (k Ω)
502	5	503	50
103	10	104	100
203	20	254	250

Note

Marked are specifications recommended by Alps Alpine.