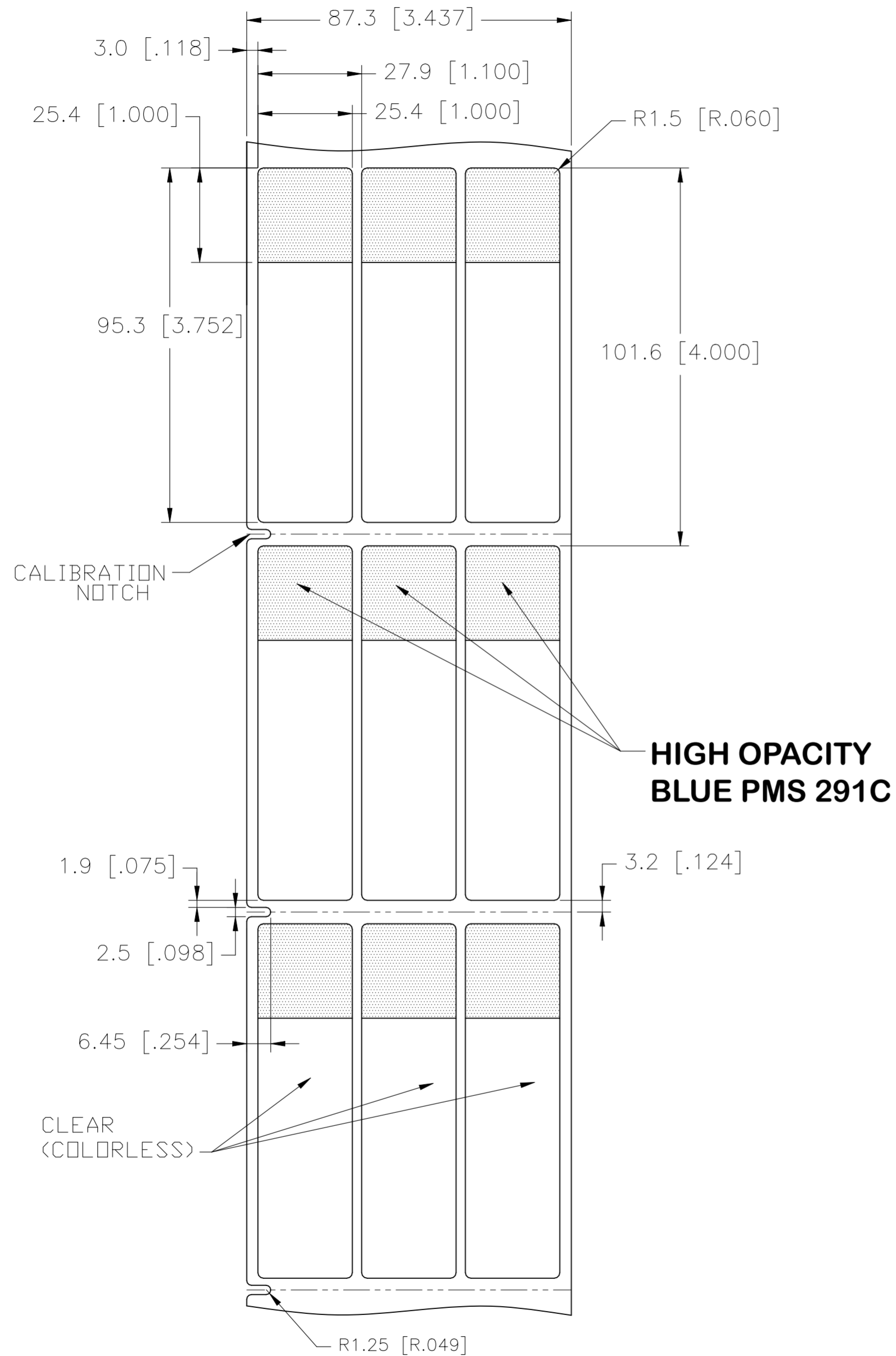
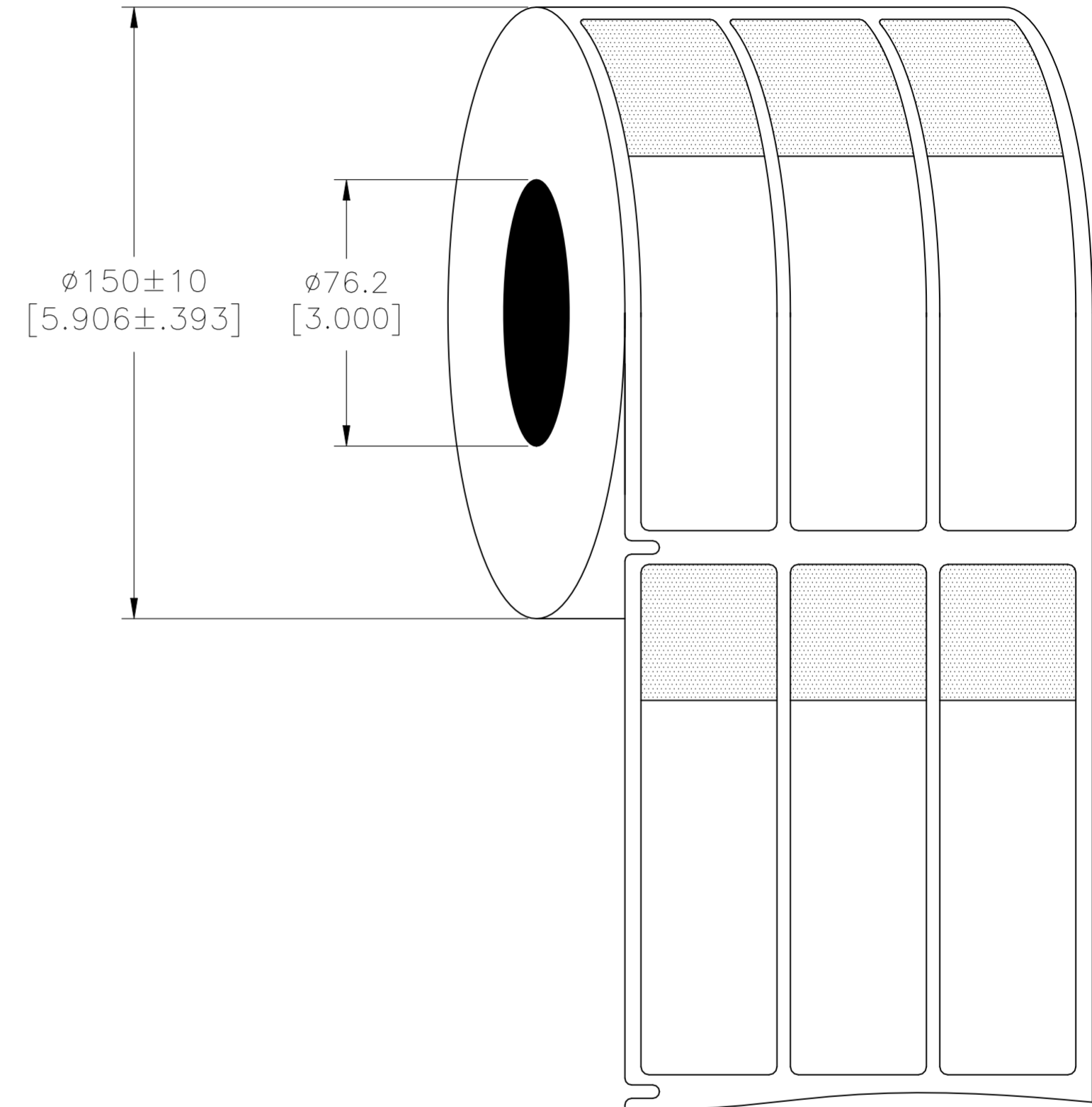


| REVISIONS | | | | | |
|-----------|-----|-----------------|-----------|-----|------|
| P | LTR | DESCRIPTION | DATE | DWN | APVD |
| A | | INITIAL RELEASE | 02JUL2022 | GK | DB |

LABEL AND LINER DESIGN



PRESENTATION



PRINT COLOR CONFORMS TO LABELING STANDARD TIA-606

**OUTSIDE WOUND
LABEL ACROSS: 3
PER ROLL QTY: 2000**

All dimensions in mm [Inch]

TE PN: 1SET530114R0000

| | | | | | |
|----------------------|-----------|--------------------|-----|---------------|--------|
| MATERIAL | | CLEAR VINYL | | | |
| ADHESIVE TYPE | | ACRYLIC PERMANENT | | | |
| LINEAR | | WHITE KRAFT | | | |
| DWN | 02JUL2022 | GOPALAKRISHNA HV | | | |
| CHK | 02JUL2022 | D.BURGAT | | | |
| APVD | 02JUL2022 | D.BURGAT | | | |
| PRODUCT SPEC | | TTDS-283 | | | |
| APPLICATION SPEC | | - | | | |
| WEIGHT | 0.336g | SIZE | A2 | CAGE CODE | FB1U7 |
| CUSTOMER DRAWING | | DRAWING NO | | RESTRICTED TO | |
| | | C=SBPE22-2525-BL-2 | | - | |
| | | SCALE | NTS | SHEET | 1 OF 1 |
| | | REV | | A | |

| | | | |
|----------------------|---------------|--|--|
| TOLERANCES mm [INCH] | | THIS DRAWING IS A CONTROLLED DOCUMENT. | |
| LABEL HEIGHT: | ±0.3 [0.012] | DIMENSIONS: | TOLERANCES UNLESS OTHERWISE SPECIFIED: |
| LABEL WIDTH: | ±0.3 [0.012] | mm [INCHES] | |
| WEB WIDTH: | ±0.8 [0.031] | | 0 PLC ± |
| VERTICAL REPEAT: | ±0.8 [0.031]* | | 1 PLC ± |
| HORIZONTAL REPEAT: | ±0.8 [0.031]* | | 2 PLC ± |
| PRINT POSITIONING: | ±0.8 [0.031]* | | 3 PLC ± |
| LEFT MARGIN: | ±0.4 [0.016] | | 4 PLC ± |
| QUANTITY: | -0 % +2 % | | ANGLES ± |
| *NON ACCUMULATING | | MATERIAL | FINISH |
| | | SEE TABLE | - |