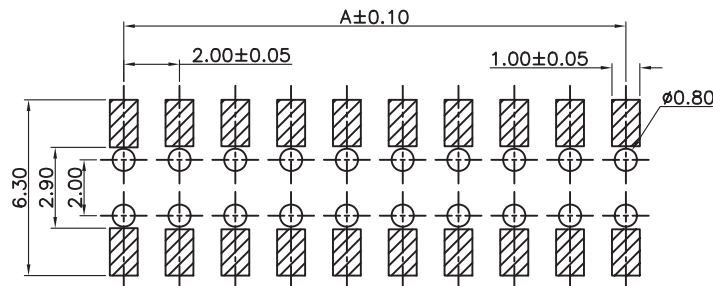


B-B



PCB LAYOUT - COMPONENT VIEW

TECHNICAL CHARACTERISTICS

MATERIAL
 INSULATOR: LCP
 FLAMABILITY RATING: UL94-V0
 COLOR: BLACK
 CONTACT MATERIAL: COPPER ALLOY
 CONTACT TYPE: STAMPED
 CONTACT PLATING: GOLD
 QUALITY CLASS: 3 AS PER CECC 75 301-802
 PITCH: 2.00MM

ENVIRONMENTAL
 OPERATING TEMPERATURE: -40 UP TO 125°C
 COMPLIANCE: LEAD FREE AND ROHS

ELECTRICAL
 CURRENT RATING: 2A MAX
 WORKING VOLTAGE: 250V AC
 INSULATOR RESISTANCE: >1000 MOHM
 DIELECTRIC WITHSTANDING VOLTAGE: 500V AC/MN
 CONTACT RESISTANCE: 20 mOHM MAX

SOLDERING
 REFLOW PROCESS ONLY

PACKAGING
 TUBE

DIMENSION
 A = 2.00 x (NB. PIN / 2 - 1)
 B = 2.00 x (NB. PIN / 2)

RoHS Compliant

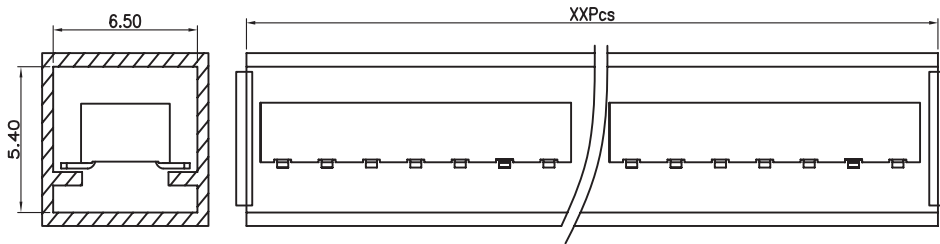
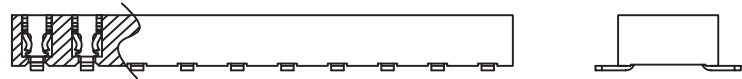
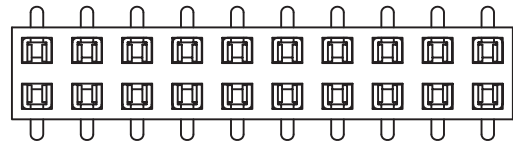
G			
F			
E	05-JUL-12	PLASTIC	GG
D	13-APR-12	TKP	GG
C	15-JUL-10	A&B INVERSION	GG
B	29-JUN-10	A&B DIM REVERSAL	JP
A	08-JUN-09	PACKAGING	JC
REV	DATE	FILE	BY

PROJECTION:	
APPROVAL: RJ	

GENERAL TOLERANCE
.X = +/- 0.2
.XX = +/- 0.15
UNIT: MM
SCALE:
SHEET: 1/2
DRAW: MIKE



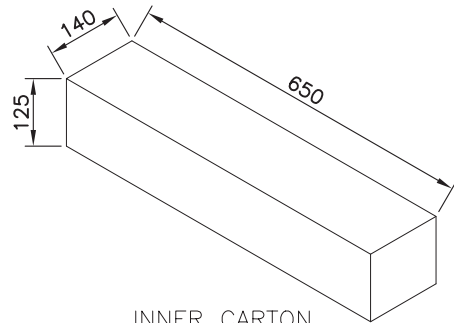
DESCRIPTION: 2.00MM DUAL SMT SOCKET HEADER BOTTOM ENTRY	SIZE A4
WERI PART NO: 621 0xx 218 21	



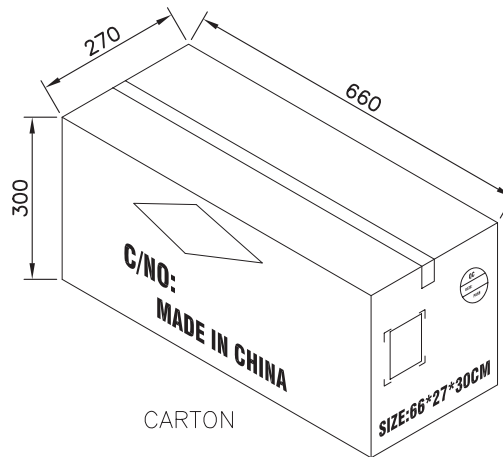
Note:

- 1,Dimension
Tube Size: L=635mm
Inner Carton Size:650(L)X140(W)X125(H) (mm)
Carton Size:660(L)X270(W)X300(H) (mm)
- 2.Quantity:
150 Tube/Inner Carton
4 Inner Carton/Carton

Pin	Pcs/Tube	Pcs/Inner Carton	Pcs/Carton	Pin	Pcs/Tube	Pcs/Inner Carton	Pcs/Carton
4	152	22800	91200	20	30	4500	18000
6	101	15150	60600	24	25	3750	15000
8	76	11400	45600	26	23	3450	13800
10	61	9150	36600	28	21	3150	12600
12	51	7650	30600	32	19	2850	11400
14	43	6450	25800	40	15	2250	9000
16	38	5700	22800	44	14	2100	8400
18	34	5100	20400	50	12	1800	7200



INNER CARTON



CARTON

RoHS Compliant			
G			
F			
E			
D			
C			
B			
A			
REV	DATE	FILE	BY

PROJECTION:	
APPROVAL: RJ	

GENERAL TOLERANCE
.X = +/- 0.2
.XX = +/- 0.15
UNIT: MM
SCALE:
SHEET: 2/2
DRAW: PEARL

DESCRIPTION: 2.00MM DUAL SMT SOCKET HEADER BOTTOM ENTRY	
WERI PART NO: 6210 xx 21821_TPK	

SIZE
A4