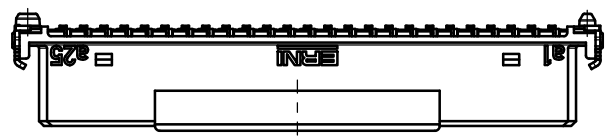
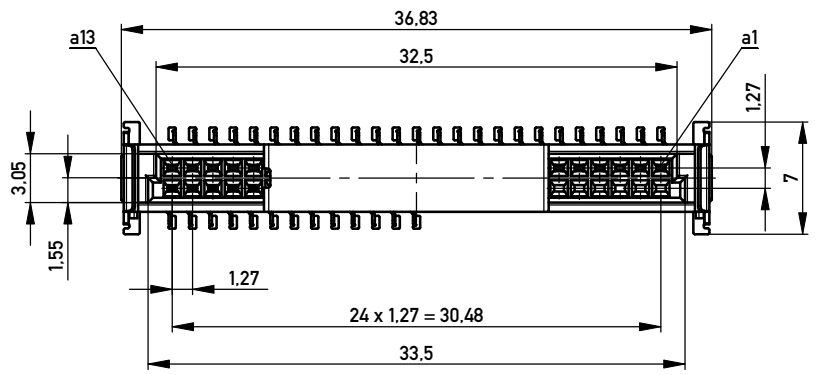
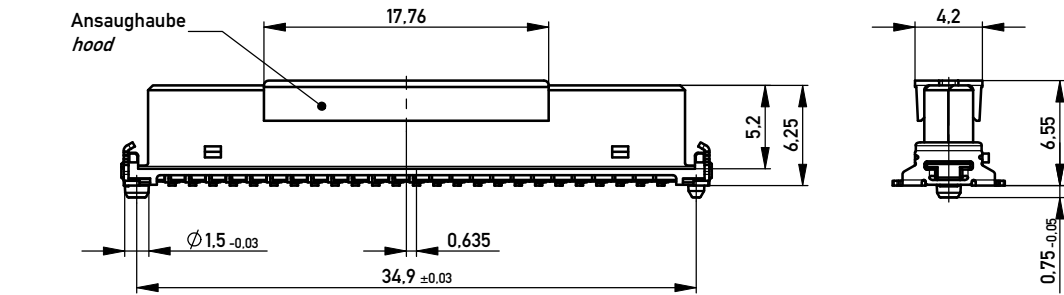
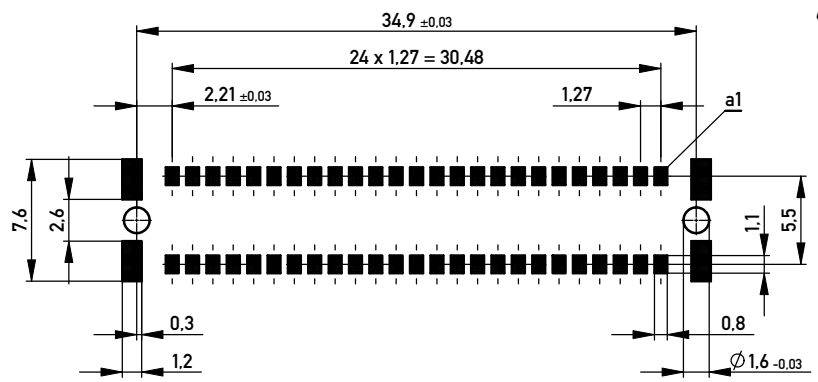


Verpackt in Gurtverpackung - *Tape on Reel Packaging*
 Verpackungseinheit: 280 Stück - *Packaging unit: 280 pcs*



Leiterplatten-Layout Vorschlag für SMT
PCB-Layout Proposal for SMT

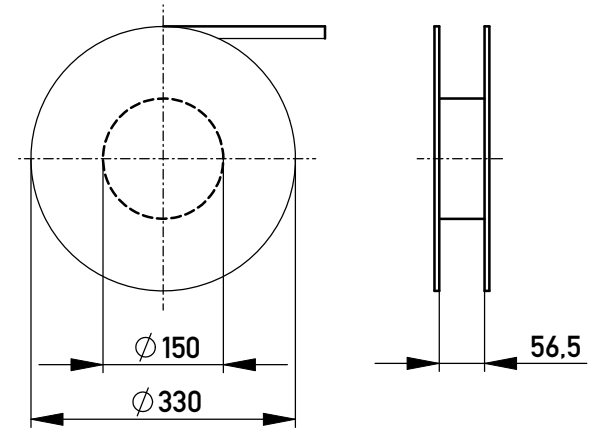


Anforderungsstufe 1
Performance Level 1

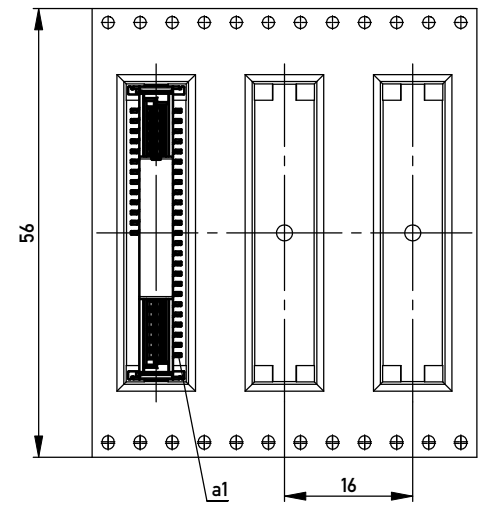
Kontaktbereich vergoldet
Mating Area gold plating

Anschlussbereich verzinkt 4-6 µm
Terminal Area 4-6 µm tin plating

Koplanarität der Anschlüsse ≤ 0,1 mm
Coplanarity Area of Termination ≤ 0,1 mm



Abspulrichtung - *Reel off Direction*



BA 7-13 - 8mm Bauhöhe
type7-13 - Low Profile

| | | | | |
|--|------------|--|----------------------|--|
| Information: | | Tolerances | All Dimensions in mm | Scale 3:1 |
| All rights reserved. Only for Information. To ensure that this is the latest version of this drawing, please contact one of the ERNI companies before using. | | Subject to modification without prior notice. Drawing will not be updated. | | Designation Federl. SMC-B 50-SMD-BA7-13 <i>Female SMC-B 50-SMD-type7-13</i> |
| www.ERNI.com | | 154807 | | I A3 |
| d | 07.10.2010 | Class | | SMCB |
| Index | Date | | | |

Copyright by ERNI GmbH
 Proprietary notice pursuant to ISO 16016 to be observed.