

---

# 1427DINCLIP ASSEMBLY INSTRUCTIONS

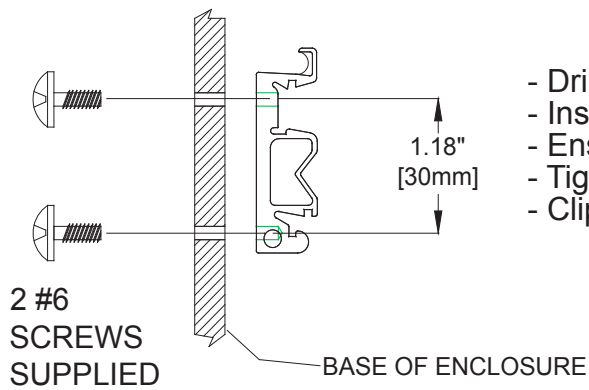
---

www.hammondmfg.com

## Tools Required

- #25, 0.15", or 3.8mm drill bit.
- Drill,
- Phillips #2 screw driver.

## Assembly Instructions



- Drill 2 holes per clip 30mm apart.
- Insert screws from inside of Box.
- Ensure clips face same direction
- Tighten screws.
- Clip enclosure to Din Rail

