

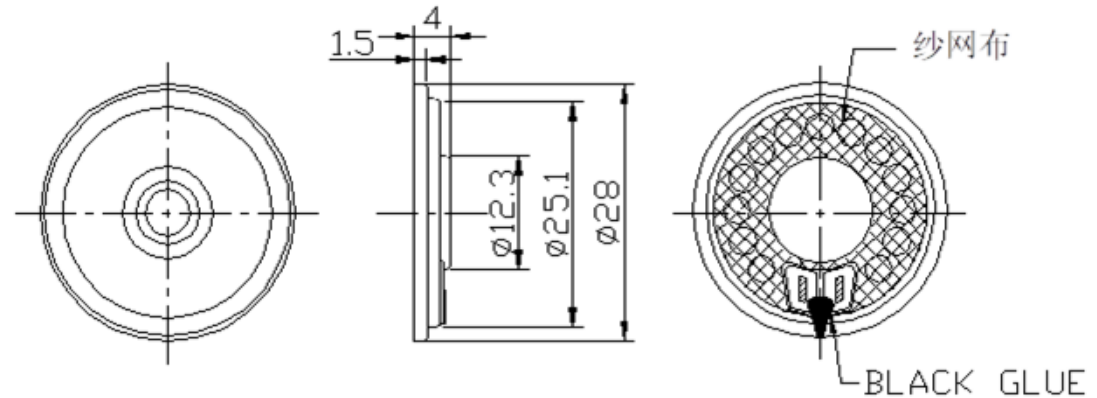
# ABS-262-RC 28x4.0tmm 8OHM DYNAMIC SPEAKER

SPEAKERS

## Specifications

## ABS-262-RC

Rated impedance 2.0k Hz/1.0Vrms	8±15%Ω
Rated input power	0.5W
Max. input power	1.0W
Resonant frequency F <sub>0</sub>	750±20%Hz/1V
Frequency range	F0Hz-5,000Hz
Sound pressure level at (AVG 1.0,1.2, 1.5)KHz 0.1W/0.1m baffleboard (IEC)	90±3dB
Total harmonic distortion	5%MAX. at 1KHz,0.3W
Voice coil diameter	dia. 10.4mm
Magnet (NdFeB)	dia.9.5mm x 1.5tmm
Operating temperature	-30°C~+70°C
Storage temperature	-30°C~+70°C
Weight	5.2g



## Material

Frame - SPCC	Plate - SPCC
Diaphragm - Black PET	Magnet - NdFeB
Voice coil - Self bonding wire	PCB - FR4



Alan Butcher Components

Alan Butcher Components Ltd

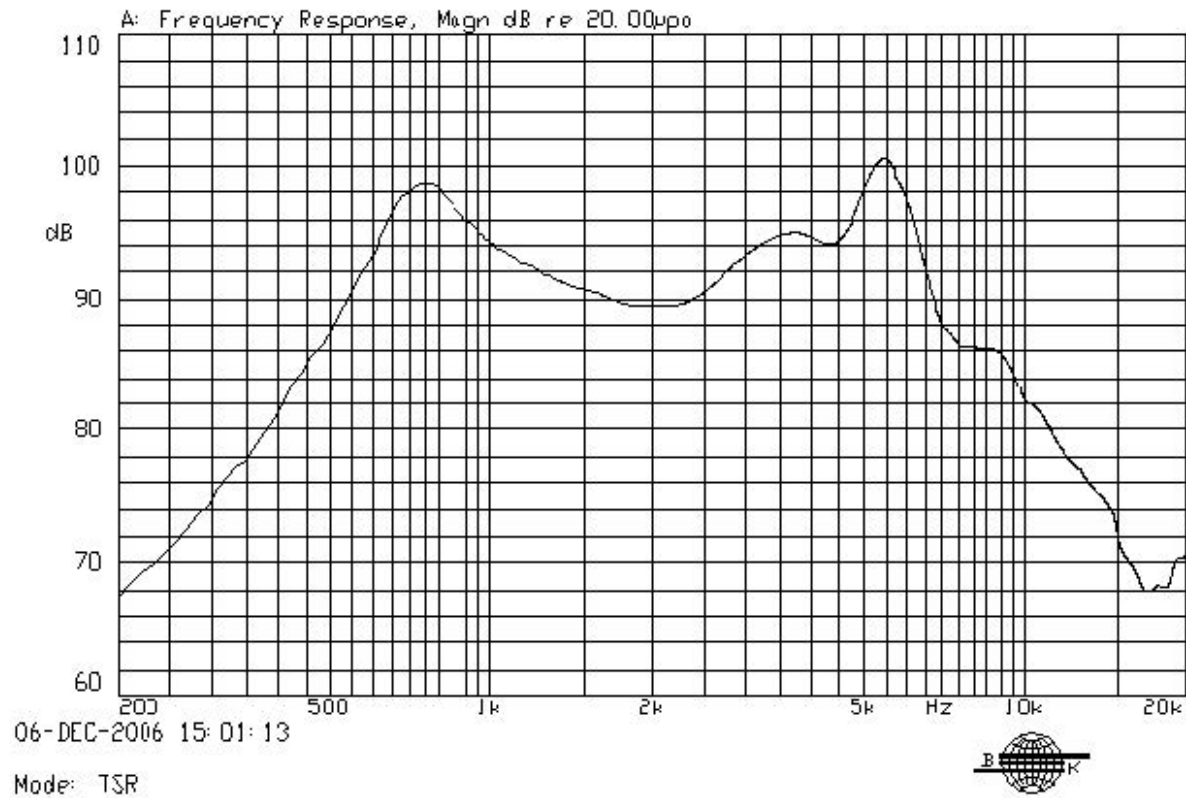
Unit 1 Beechwood Clump Farm Industrial Estate Tin Pot Lane Blandford Dorset DT11 7TD

Telephone 01258 456360 Email sales@abcomponents.co.uk

www.abcomponents.co.uk

# ABS-262-RC 28x4.0tmm 8OHM DYNAMIC SPEAKER - Frequency Response Curve SPEAKERS

0.1m 0.1W 0.89V



Alan Butcher Components

Alan Butcher Components Ltd

Unit 1 Beechwood Clump Farm Industrial Estate Tin Pot Lane Blandford Dorset DT11 7TD

Telephone 01258 456360 Email [sales@abcomponents.co.uk](mailto:sales@abcomponents.co.uk)

[www.abcomponents.co.uk](http://www.abcomponents.co.uk)