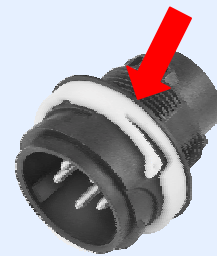


## Innovative Interconnect solution for PV inverter

### 4 + PE Plastic Connector for up to 50A/600V!



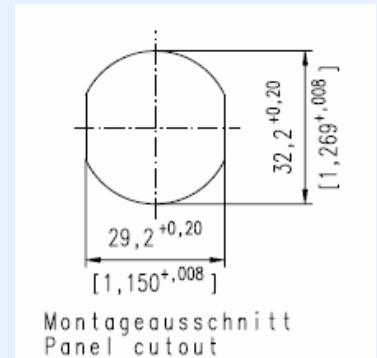
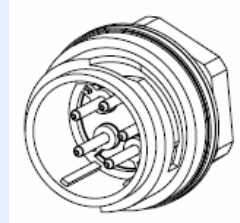
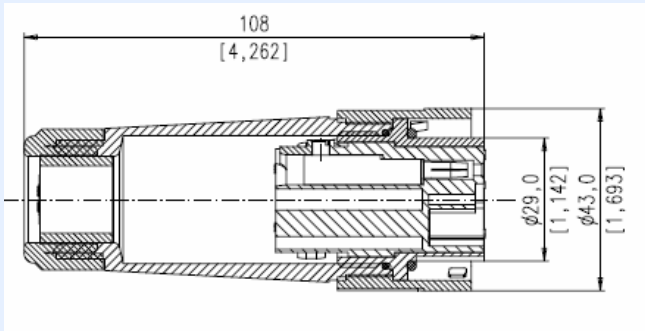
#### **NEW:**

Optional secured locking feature acc. DIN VDE 0126-3

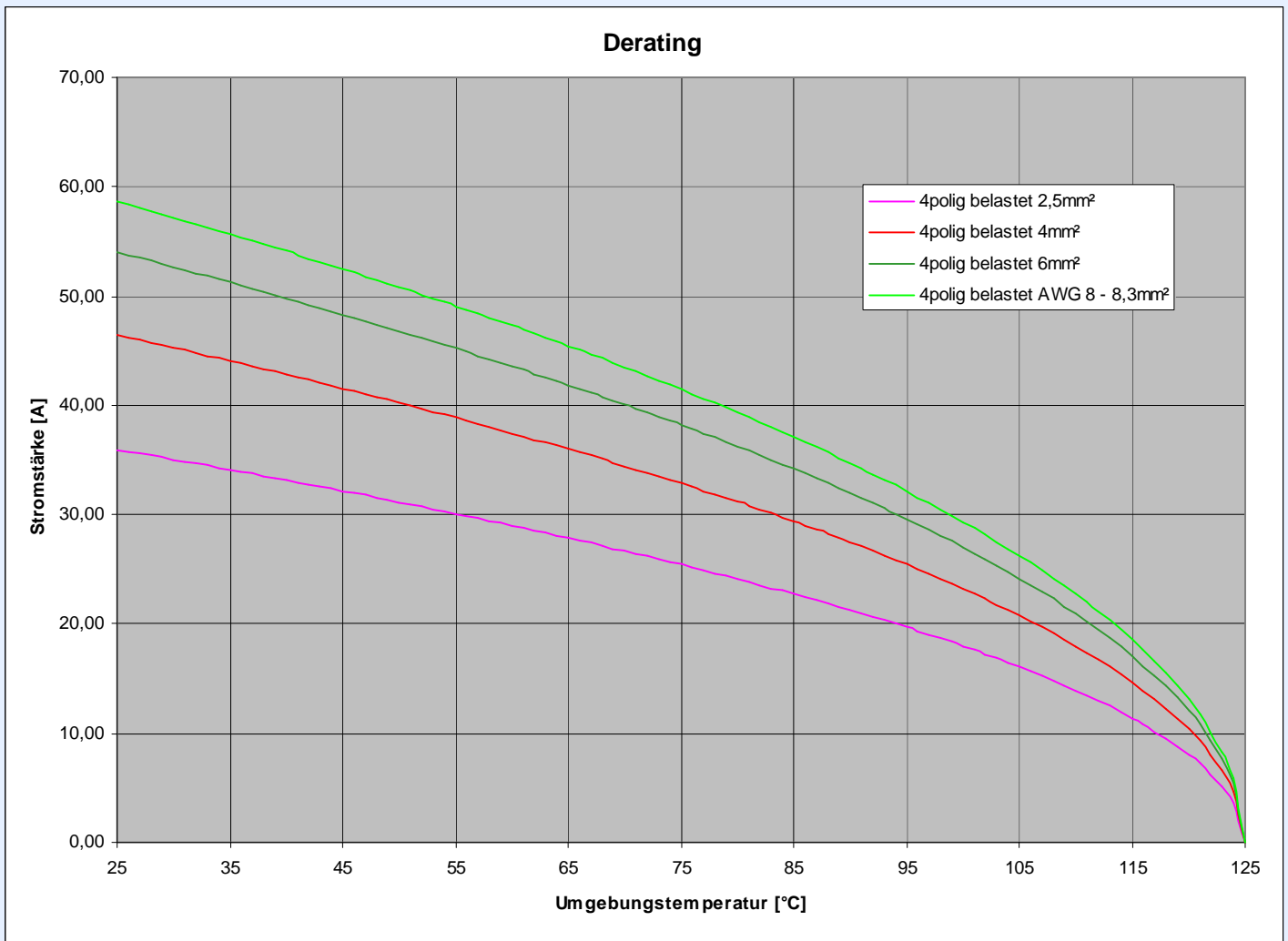
## Features

- 50A per contact at 40°C ambient with wire size 6,0mm<sup>2</sup>
- Contacts with screw connection for up to 6 mm<sup>2</sup> (bigger wires sizes available on request)
- Bayonet locking
- Secured locking feature optionally
- IP65
- Compact dimensions
- UV resistant
- VDE, UL

## Dimensions (mm)



## Derating



## General Characteristics

## Standards

Number of contacts		4 + PE
--------------------	--	--------

## Electrical Characteristics

Rated voltage	DIN EN 60664-1 (=VDE 0110-1 = IEC 60664-1)	600 V
Rated impulse withstand voltage	DIN EN 60664-1	6000 V
Pollution degree	DIN EN 60664-1	Mated: 3, Unmated: 2
Installation (overvoltage) category	DIN EN 60664-1	3
Material group	DIN EN 60664-1	2
Current carrying capacity at 40°C ambient	DIN EN 60512-5-2, Test 5b UL 1977	50A when using 6mm <sup>2</sup> wire
Insulation resistance	DIN EN 60512-3-1, Test 3a	>10 <sup>8</sup> Ω
Contact resistance	DIN EN 60512-2-1, Test 2a	≤ 5 mΩ

## Climatic Characteristics

Climatic category	DIN EN 60068-1	25/100/56
Operating temperature		-25°C - +125°C

## Mechanical Characteristics

Degree of protection	DIN EN 60529	IP 65
Insertion and withdrawal force	DIN EN 60512-13-2, Test 13b	10N – 50N
Mechanical operation	DIN EN 60512, Test 9a	>250 mating cycles

## Materials

Housing material		PA
Dielectric material		PA
Gaskets		Neoprene / EPDM
Contact plating		Silver plated

## Other Characteristics

Wire connection		Screw type
Wire gauge		2,5 / 4,0 / 6,0 mm
Outer cable diameters *		11-20 mm
Flammability class	UL 94	V0
Locking system		Bayonet

\*for cable diameters 11-13 mm use external cable clamp

## Available Types

## Part Numbers

Female cable connector 4 + PE	C016 20E004 800 2 with standard bayonet locking	
Male receptacle 4 + PE	C016 20P004 800 2 with standard bayonet locking	

Female cable connector 4 + PE	With secured bayonet locking:	C016 20E004 801 2
Male receptacle 4 + PE	With secured bayonet locking:	C016 20P004 801 2

### General Information

We reserve the right to change the design due to improvement in quality, development or production requirements. This data sheet must not be used in any form or manner without our prior approval in writing (Copyright Law, Fair Trading Law, Civil Code).