

Compact high-performance module FN 9222

- up to 20A current ratings
- IEC 950-compliant
- optional medical version (B type)
- snap-in version (S and S1 type)
- Nennstrom bis 20A
- IEC 950 konform
- Für medizinische Geräte als Option (Typ B)
- Snap-in Version (Typ S und S1)
- courants de service pouvant atteindre 20A
- conforme à CEI 950
- version médicale en option (type B)
- version snap-in (type S et S1)



Filter selection table

Choose the family FN xxx with the required body style and features, and add -?? to determine current rating, and /?? for output connections. Example: FN 9222-1/06 is a horizontal screw-mounting filter, rated for 1A, with fast-on outputs.

Approvals



Family	Current ratings A at 40°C (25°)								Output connection	Housing	
	1 (1.2)	3 (3.5)	6 (7.2)	10 (11.6)	10 (12)	10 (15)	16 (18.5)	20 (23)			
FN 9222 -?? /??	-1	-3	-6	-10	-12	-15	-16	-20	/06 /07	✓	-
FN 9222S -?? /??	-1	-3	-6	-10	-12	-15	-	-	/06 /07	-	✓
FN 9222S1 -?? /??	-1	-3	-6	-10	-12	-15	-	-	/06 /07	-	✓
Inductance L mH											
	12	2.5	0.78	0.225	0.11	0.075	0.54	0.4			

Additional specifications

Filter type	Capacitance		Maximum leakage μA/phase	Res. R MΩ	Weight g	Maximum operating volt.		Operating frequency Hz	Hipot test voltage	
	Cx nF	Cy nF				VAC	Hz		PN→E VAC	P→N VDC
Standard types (up to 15A)	100	2.2	190	-	40	250	50/60	DC to 400	2000	1700
R types (up to 15A)	100	2.2	190	1	40	250	50/60	DC to 400	2000	1700
R types (16/20A)	330	2.2	190	1	120	250	50/60	DC to 400	2000	1700
B types (medical, up to 15A)	100	-	2	1	40	250	50/60	DC to 400	2500	1700
B types (medical, 16/20A)	330	-	2	1	120	250	50/60	DC to 400	2500	1700

MTBF at 40°C, 230V, per Mil-HB-217F: 1,800,000 hours

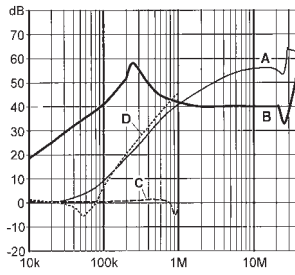
Temperature range: -25°C – +85°C

Please note that 16A and 20A filters are only available as R-types (FN 9222R-16-06 and FN9222R-20-06) with resistor.

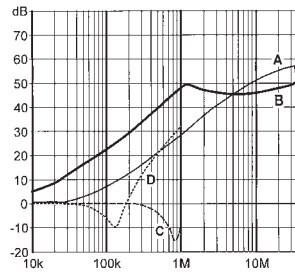
FN 9222 insertion loss

Per CISPR 17; A = 50Ω/50Ω sym, B = 50Ω/50Ω asym, C = 0.1Ω/100Ω sym, D = 100Ω/0.1Ω sym

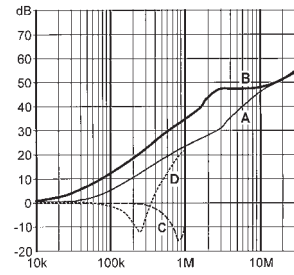
1 amp types



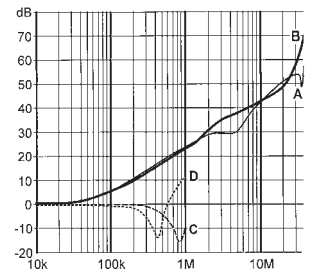
3 amp types



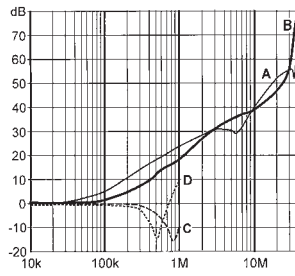
6 amp types



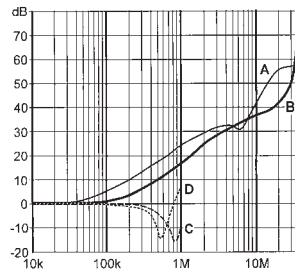
10 amp types



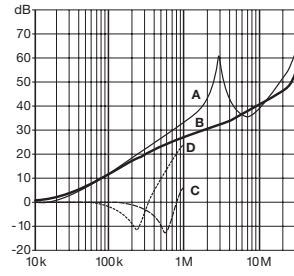
12 amp types



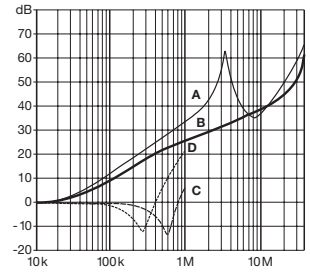
15 amp types



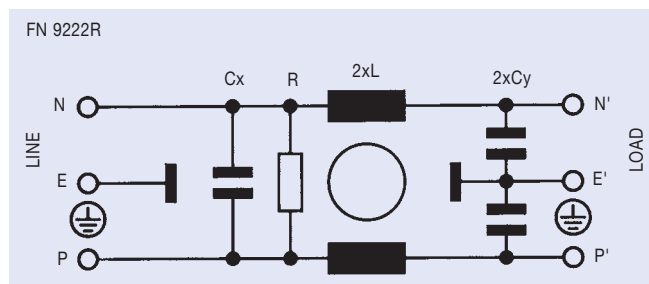
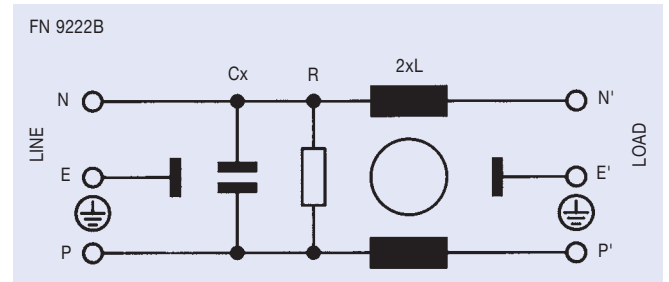
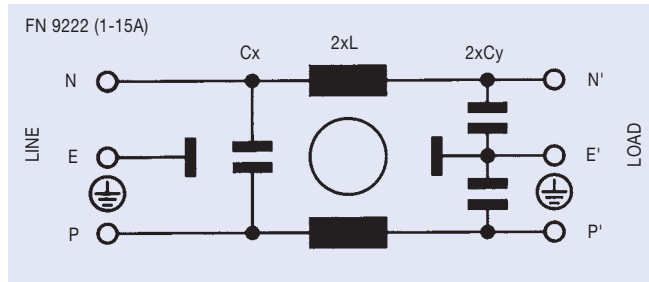
16 amp types



20 amp types



Electrical schematics



See tables for component values

Mechanical data

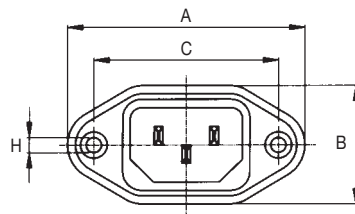
FN 9222

up to 15A 16-20A

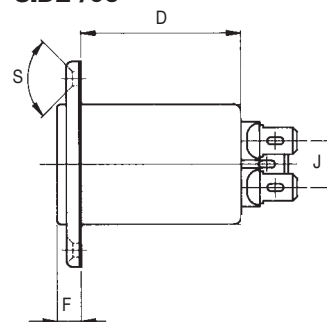
A	48	53
B	22.5	30
C	40	42
D	38.4	73
F	5.5	
H	Ø3.3	Ø3.5
J	13.3	-
M	R≤3	-
N	21.5 ^{+0.5} ₋₀	27
P	28.5 ^{+0.5} ₋₀	34.7
R	M3	
S	90°	
W	6	
Y	AWG 18	
Z	160	

FN 9222 up to 15A

FRONT

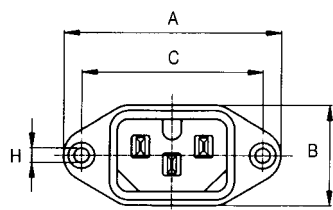


SIDE /06



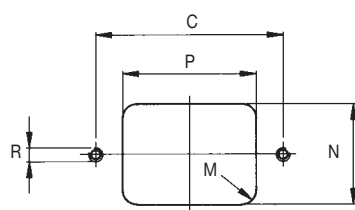
**FN 9222 12 and 15A
(versions with IEC hot inlet)**

FRONT

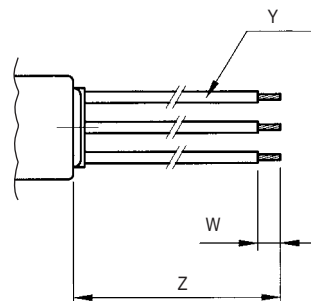


FN 9222x-12-xxHI
FN 9222x-15-xxHI

PANEL CUT-OUT

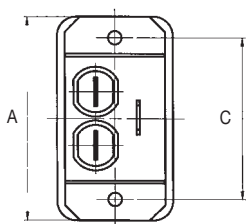


SIDE /07*

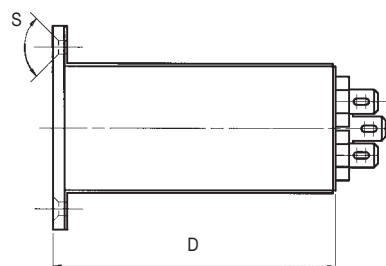


FN 9222R 16 and 20A

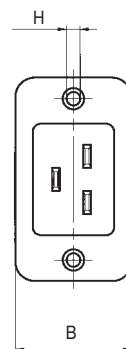
REAR



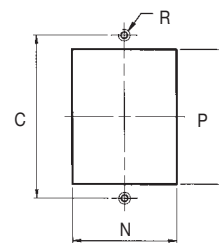
SIDE



FRONT



PANEL CUT-OUT



* FN 9222 filters with wire connections (/07) are currently in preparation. Their mechanical dimensions are subject to minor adjustments. Please contact your local Schaffner office for details.

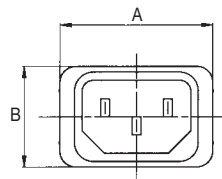
Mechanical data

FN 9222S up to 15A

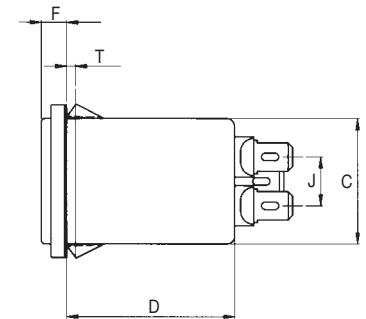
A	29.9
B	22.4
C	27.8
D	38.4
F	5.5
J	13.3
M	$R \leq 1.5$
N	$20.8^{+0.1}_{-0}$
P	$29.4^{+0.1}_{-0}$
T	panel thickness 0.6-2mm
W	6
Y	AWG 18
Z	160

Snap-in version FN 9222S (For installation instructions see page 92)

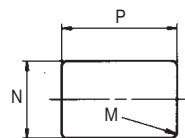
FRONT



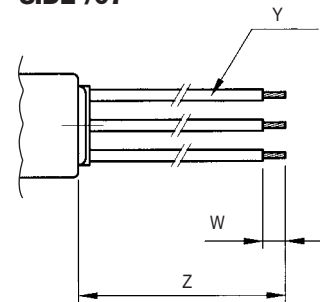
SIDE /06



PANEL CUT-OUT



SIDE /07*

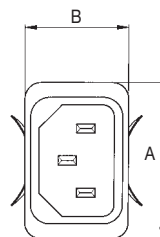


FN 9222S1 up to 15A

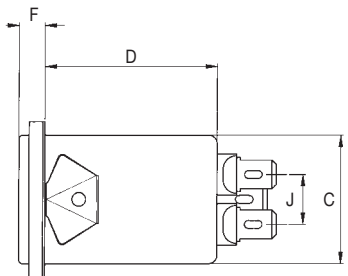
A	29.9
B	22.4
C	27.8
D	38.4
F	5.5
J	13.3
M	$R \leq 1.5$
N	$21.9^{+0.1}_{-0}$
P	$28.5^{+0.1}_{-0}$
T	panel thickness 0.6-2mm
W	6
Y	AWG 18
Z	160

Snap-in version FN 9222S1 (For installation instructions see page 92)

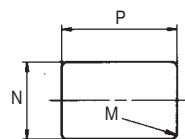
FRONT



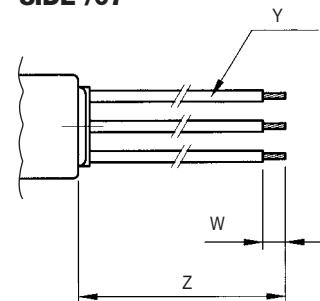
SIDE /06



PANEL CUT-OUT



SIDE /07*



* FN 9222 filters with wire connection (/07) are currently in preparation. Their mechanical dimensions are subject to minor adjustments. Please contact your local Schaffner office for details.