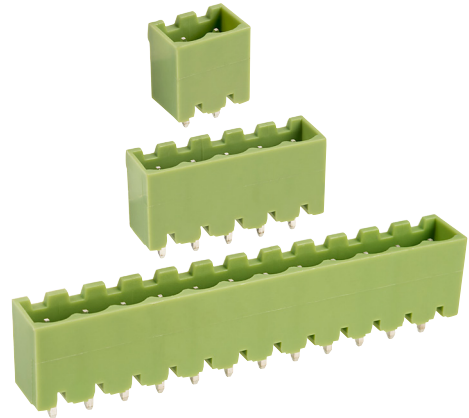


## Specifications

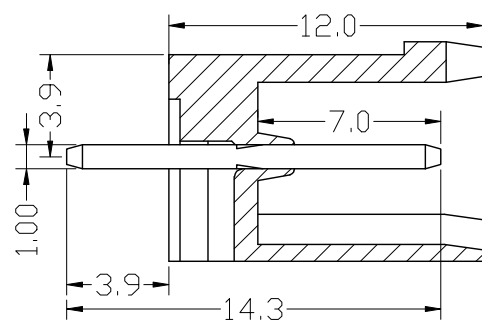
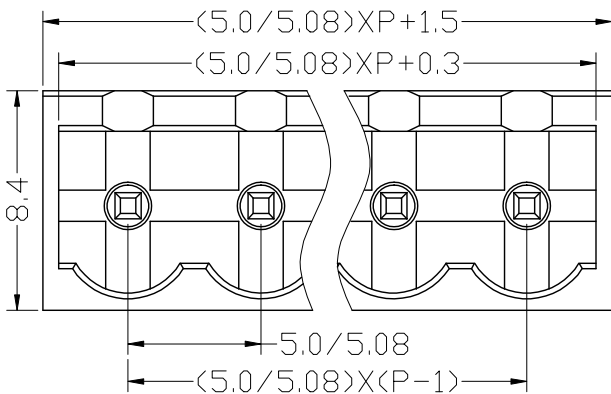
Pitch:	5.0mm
Type:	Vertical, Closed-ended
Poles:	2 to 12
Rated Voltage:	300V
Rated Current:	15A
Operational Temperature:	-40°C to +105°C
Withstand Voltage:	2500V AC for 60s
Insulation Resistance:	500MΩ at 500V DC
Wave Soldering:	260°C for 5s
Hand Soldering:	350°C for 10s

## Colour and Materials

Housing Colour:	Green
Housing Material:	PA66
Flame Retardancy:	UL94-V0
Pin Header:	Tin-plated brass



Order Code	Poles	Order Code	Poles
21-2832	2	21-2837	8
21-2833	3	21-2895	9
21-2834	4	21-2838	10
21-2835	5	21-2896	11
21-2836	6	21-2839	12
21-2894	7		



Measurements are in mm unless stated otherwise.

