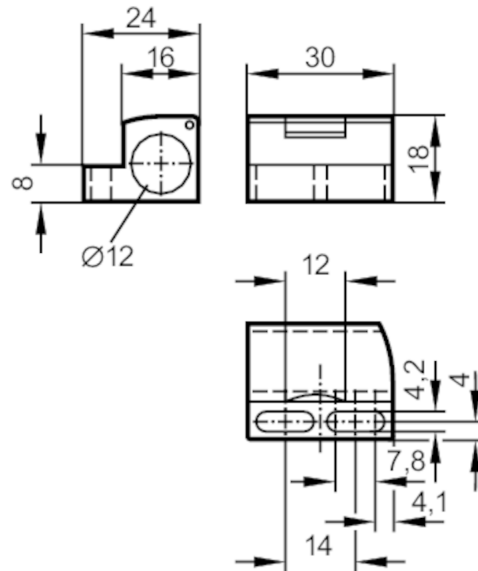


E11994



Mounting clamp for position sensors

MOUNTING CLAMP M12



Application

Design	with end stop
Installation	for sensors with 45° chamfer

Operating conditions

Ambient temperature	[°C]	-25...85
---------------------	------	----------

Mechanical data

Weight	[g]	9.2
Dimensions	[mm]	18 x 30 x 24
Inside diameter	[mm]	12
Materials		PC

Remarks

Pack quantity	1 pcs.
---------------	--------