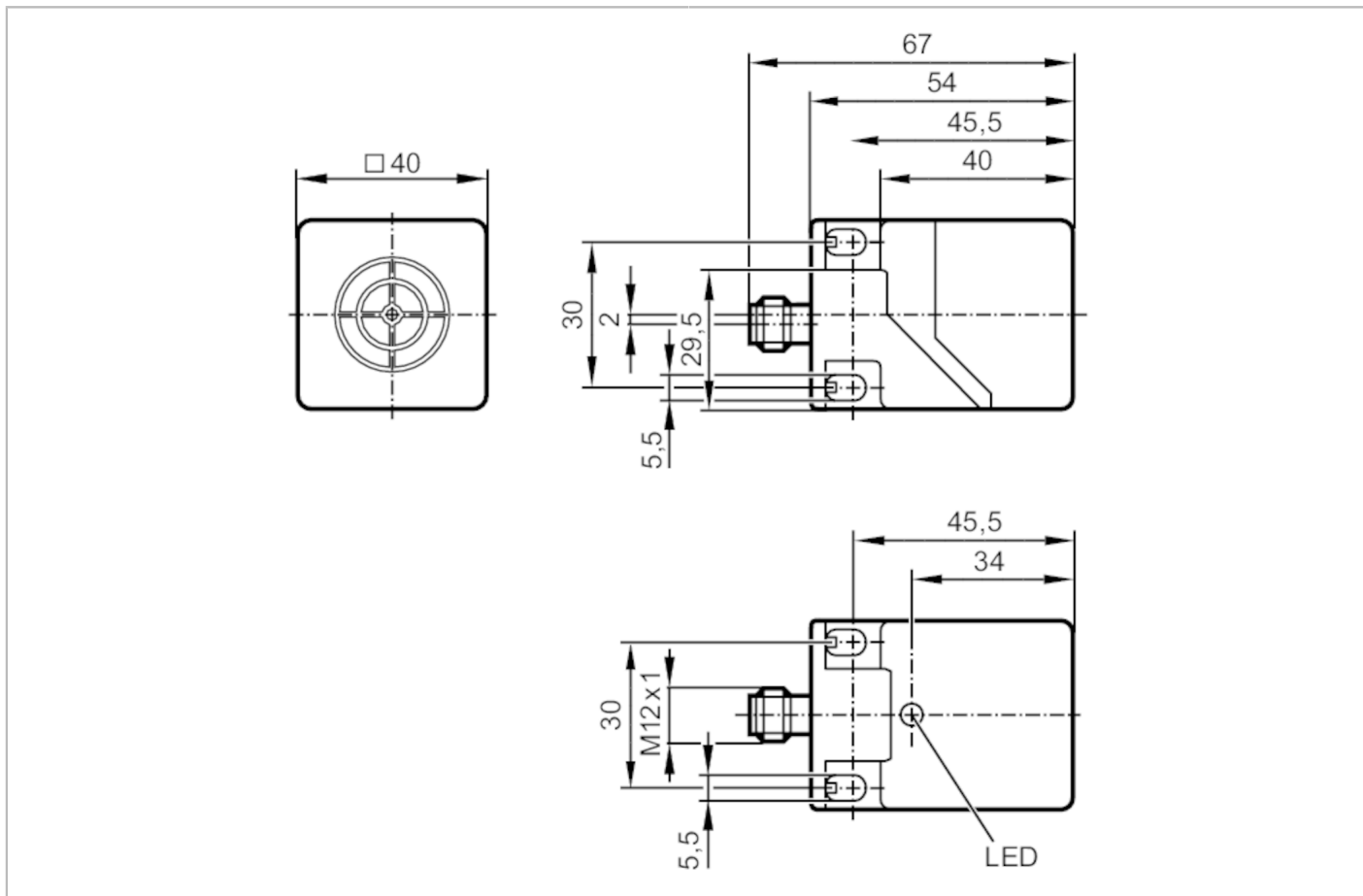


IM513A



Inductive sensor

IMC4030-CPKG/US/3D/3G





Product characteristics	
Electrical design	PNP
Output function	complementary
Sensing range [mm]	30
Housing	rectangular
Dimensions [mm]	40 x 40 x 54
Application	
Special feature	Gold-plated contacts
Electrical data	
Operating voltage [V]	10...30 DC
Current consumption [mA]	< 15
Protection class	III
Reverse polarity protection	yes

IM513A



Inductive sensor

IMC4030-CPKG/US/3D/3G

Outputs		
Electrical design		PNP
Output function		complementary
Max. voltage drop switching output DC	[V]	2.5
Max. leakage current	[mA]	0.1
Permanent current rating of switching output DC	[mA]	200
Switching frequency DC	[Hz]	100
Short-circuit protection		yes
Type of short-circuit protection		pulsed
Overload protection		yes
Detection zone		
Sensing range	[mm]	30
Real sensing range Sr	[mm]	30 ± 10 %
Operating distance	[mm]	0...24.3
Accuracy / deviations		
Correction factor		steel: 1 / stainless steel: 0.7 / brass: 0.4 / aluminium: 0.3 / copper: 0.2
Hysteresis	[% of Sr]	1...20
Switch point drift	[% of Sr]	-10...10
Operating conditions		
Ambient temperature	[°C]	-20...60
Protection		IP 65; IP 67
Tests / approvals		
ATEX marking		 II 3D Ex tc IIIC T95°C Dc X
		 II 3G Ex nA IIC T4 Gc X
EMC		EN 60947-5-2
MTTF	[years]	1260
Mechanical data		
Weight	[g]	173
Housing		rectangular
Mounting		non-flush mountable
Dimensions	[mm]	40 x 40 x 54
Materials		PC; PA; TPE
Displays / operating elements		
Display	switching status	1 x LED, yellow
Remarks		
Remarks	Recommendation: Check the safe functioning of the unit after a short circuit. 5 positions of the active zone possible	
Pack quantity		1 pcs.
Electrical connection - plug		
Connector: 1 x M12; Contacts: gold-plated		

IM513A

Inductive sensor

IMC4030-CPKG/US/3D/3G



Connection

