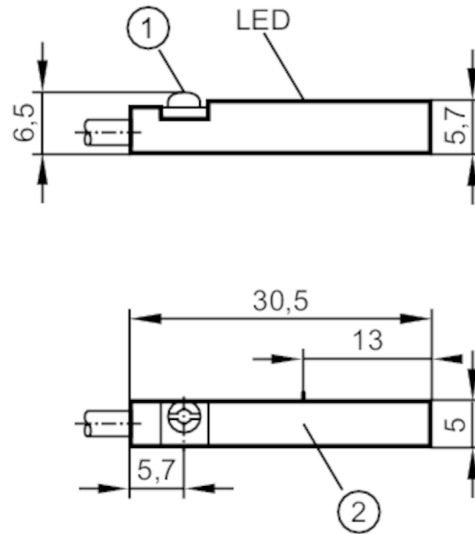


MR500A



T-slot cylinder sensor with reed contact

MRT2021-NI--/R/6,0M/-H/1G/1D



- 1 fastening clamp with combined slot / hexagon socket head
hexagonal socket AF 1.5
- 2 Sensing face



Product characteristics

Electrical design	NAMUR
Output function	normally open
Dimensions [mm]	30.5 x 5 x 6.5

Electrical data

Connection to switching amplifiers	yes
Switching amplifiers	connection to certified intrinsically safe circuits with the max. values: U = 15 V / I = 50 mA / P = 120 mW
Nominal voltage DC [V]	8.2
Current consumption [mA]	target not detected: ≤ 1 ; target detected: $\geq 2,2$
Protection class	III

Outputs

Electrical design	NAMUR
Output function	normally open

Detection zone

Response sensitivity [mT]	2.1
Travel speed [m/s]	10

Accuracy / deviations

Hysteresis [mm]	1
Repeatability [mm]	< 0.2

Response times



Max. fall time [ms]	0.1
Max. make time incl. bounce [ms]	0.6

MR500A



T-slot cylinder sensor with reed contact

MRT2021-NI--/R/6,0M/-H/1G/1D

Operating conditions		
Ambient temperature	[°C]	-25...70
Protection		IP 65; IP 67
Tests / approvals		
Approval		BVS 09 ATEX E164; IECEx BVS 09.0065
ATEX marking		 II 1G Ex ia IIC T4 Ga
		 II 1D Ex ia IIIC T135°C Da
EMC	EN 61000-4-2 ESD	- kV CD / 8 kV AD
	EN 61000-4-3 HF radiated	10 V/m
	EN 61000-4-4 Burst	2 kV
	EN 61000-4-6 HF conducted	10 V
	EN 55011 emission	class B
MTTF	[years]	21140
Safety classification		
Max. internal capacitance	[nF]	10
Max. internal inductance	[µH]	400
Mechanical data		
Weight	[g]	91.2
Mounting		flush mountable
Cylinder type		T-slot cylinders
Dimensions	[mm]	30.5 x 5 x 6.5
Materials		housing: PA; fastening clamp: stainless steel
Displays / operating elements		
Display	switching status	1 x LED, yellow
Accessories		
Accessories (supplied)		rubber placeholder: 1
		Cable clip: 1
Remarks		
Remarks		No LED function in case of polarity reversal in DC operation.
Pack quantity		1 pcs.

MR500A



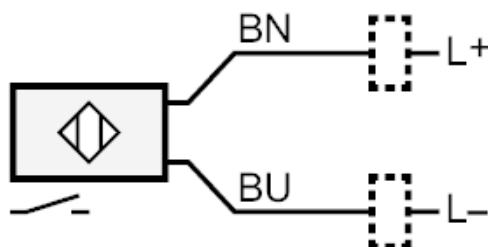
T-slot cylinder sensor with reed contact

MRT2021-NI--/R/6,0M/-H/1G/1D

Electrical connection

Cable: 6 m, PVC; 2 x 0.14 mm²

Connection



Core colours :

BN =

brown

BU =

blue