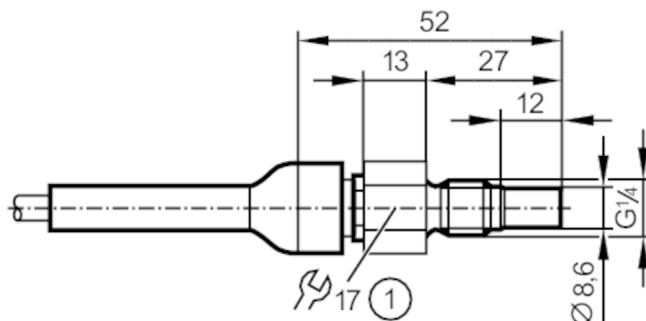


SF2410



Flow sensor for connection to an evaluation unit

SFR14XBK/6M



1 tightening torque max. 8 Nm



Product characteristics

Probe length L	[mm]	12
Process connection		G 1/4

Application

Media		Liquids; aggressive media
Medium temperature	[°C]	5...70
Pressure rating	[bar]	30

Liquids

Medium temperature	[°C]	5...70
--------------------	------	--------

Electrical data

Connection to control monitor		VS3000
-------------------------------	--	--------

Measuring/setting range

Probe length L	[mm]	12
Liquids		
Setting range	[cm/s]	3...60
Greatest sensitivity	[cm/s]	3...40

Accuracy / deviations

Temperature gradient	[K/min]	7
----------------------	---------	---

Response times

Response time	[s]	2...20
---------------	-----	--------

Liquids

Response time	[s]	2...20
---------------	-----	--------

Operating conditions

Protection		IP 67
------------	--	-------

Tests / approvals

Shock resistance	DIN IEC 68-2-27	40 g (11 ms)
Vibration resistance	DIN IEC 68-2-6	10 g (55...2000 Hz)
MTTF	[years]	8648

SF2410



Flow sensor for connection to an evaluation unit

SFR14XBK/6M

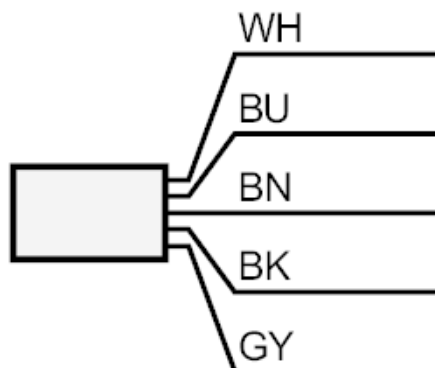
Mechanical data	
Weight [g]	379
Housing	threaded type
Materials	ceramics (99.7 % Al ₂ O ₃)
Materials (wetted parts)	ceramics (99.7 % Al ₂ O ₃)
Process connection	G 1/4
Installation length EL [mm]	27

Accessories	
Accessories (supplied)	sealings: 1, PTFE

Remarks	
Remarks	For sealing use the supplied PTFE packing washer.
Pack quantity	1 pcs.

Electrical connection	
Cable: 6 m, PUR; Maximum cable length: 100 m; 5 x 0.34 mm ² , PVC	

Connection



	Core colours :
BN =	brown
BU =	blue
BK =	black
WH =	white
GY =	grey