

**MVP12, 6XM12, 5POLE, M23 19POL. CON.**

Connector exit 90°

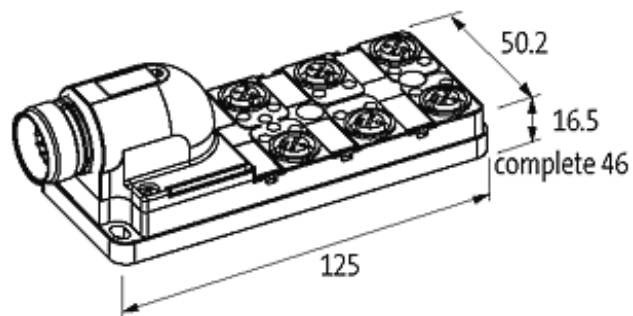
6-way, 5-pole

M23 plug connection, 90°

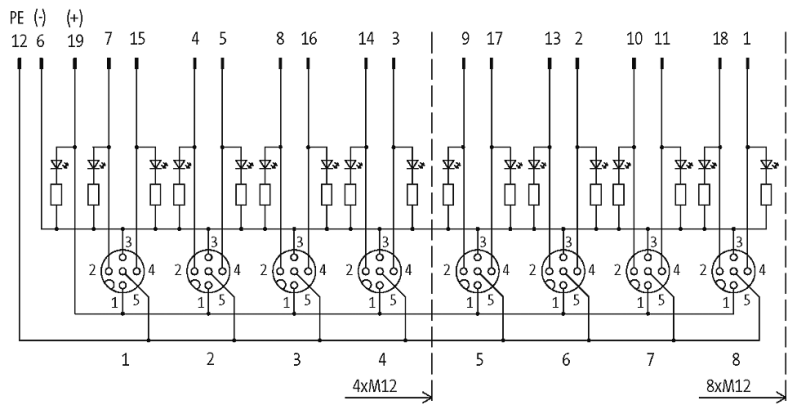
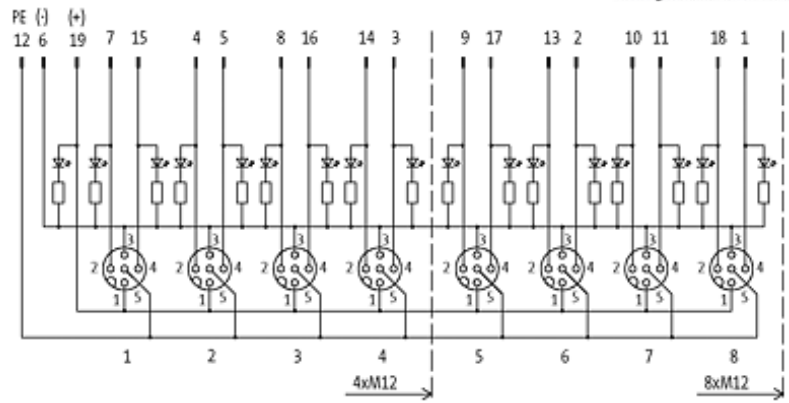
19-pole used

with LED for digital PNP-signals 24 V DC

Plastic housings with good resistance against chemicals and oils. The resistance to aggressive media should be individually tested for your application. Further details on request.

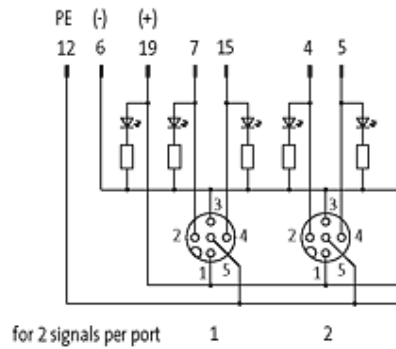
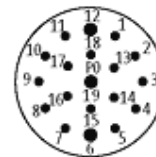
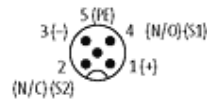
[Link to Product](#)**Illustration**

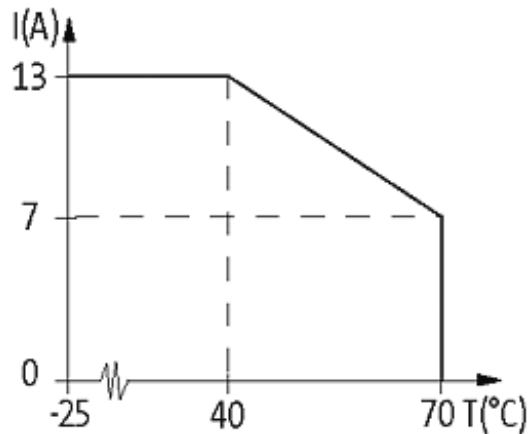
stay connected



M12-Females 5-pole

M23-Plug 19-pole





Product may differ from Image

### Approvals



### Technical Data

|                               |  |
|-------------------------------|--|
| Operating voltage             | 24 V DC                                |
| Signal per port               | 2                                      |
| Operating current per contact | max. 4 A                               |
| Total current                 | max. 10 A                              |
| Housing                       | Plastic, flame retardant               |
| Protection                    | IP67 inserted and tightened (EN 60529) |
| Locking of ports              | Screw thread M12 × 1 mm                |

### General data

|                      |                  |
|----------------------|------------------|
| Temperature range    | -20...+80 °C     |
| Dimensions H × W × D | 125×50.2×16.5 mm |

### Contact layout

|             |  |
|-------------|--|
| Contact 1   | (+)  |
| Contact 2   | (NC)/(S2)                                  |
| Contact 3   | (-)  |
| Contact 4   | (NO)/(S1)                                  |
| Contact 5   | (Earth)                                    |
| LED display | LED (green): Power / LED (yellow): (S1/S2) |

### Commercial data

|                        |          |
|------------------------|----------|
| country of origin      | DE       |
| customs tariff number  | 85369010 |
| minimum order quantity | 1        |