

M8 FEMALE 0° FIELD-WIREABLE (SOLDER PINS)

4-pol. 0.25mm²

Female straight

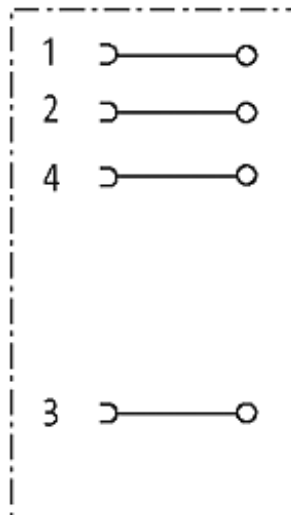
4-pole

with solder pins

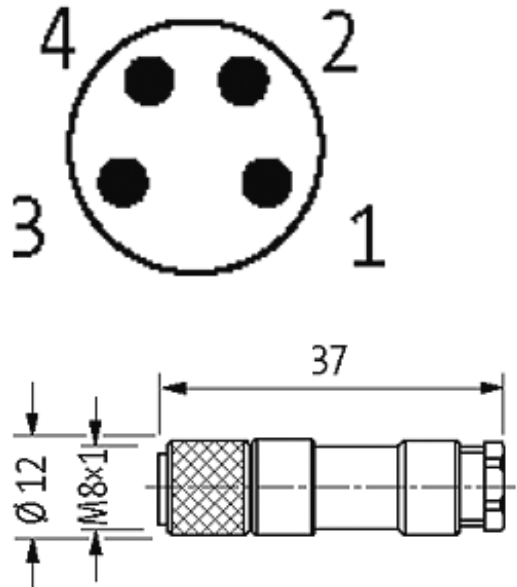
Connection cross section: max. 0.25 mm²

[Link to Product](#)

Illustration



Female



Product may differ from Image

Approvals



Form

08501

Technical Data

Operating voltage	max. 30 V AC/DC
Operating current per contact	max. 4 A
Connection cross section	max. 0.25 mm ²
Sealing range (cable diameter)	3.5...5.0 mm
Protection	IP67 inserted and tightened (EN 60529)

General data

Temperature range	-25...+85 °C
Dimensions H × W × D	37×12×12 mm

Commercial data

country of origin	DE
customs tariff number	85369010
minimum order quantity	1