



### Model Number

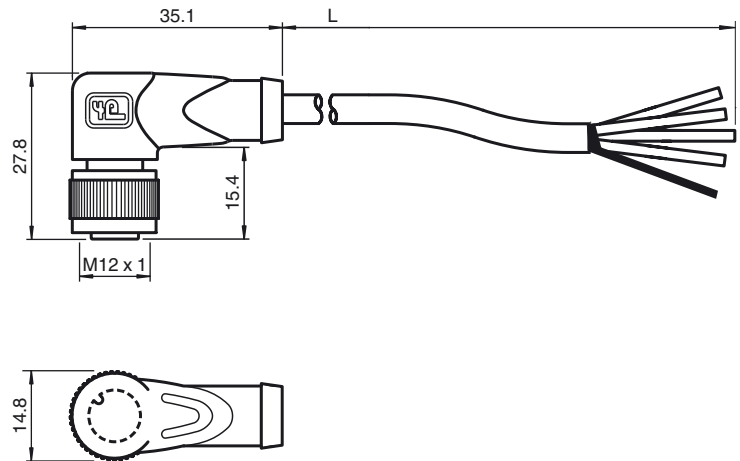
#### V1-W-15M-PUR-ABG

Female cordset, M12, 4-pin, shielded, PUR cable

### Features

- Knurled nut suitable for tool assembly
- Immunity to vibration, with mechanical latching
- Shield attached to coupling nut
- Gold-plated and machined contacts
- Protection degree IP67 / IP68 / IP69K
- Halogen-free

### Dimensions



### Technical data

#### General specifications

|                     |             |
|---------------------|-------------|
| Number of pins      | 4 + shield  |
| Connection 1        | socket      |
| Construction type 1 | right angle |
| Threading 1         | M12         |
| Connection 2        | cable end   |

#### Electrical specifications

|                   |       |                  |
|-------------------|-------|------------------|
| Operating voltage | $U_B$ | max. 250 V AC/DC |
| Operating current |       | max. 4 A         |
| Volume resistance |       | < 5 m $\Omega$   |

#### Ambient conditions

|                     |  |
|---------------------|--|
| Ambient temperature | Body: -40 ... 90 °C (-40 ... 194 °F)<br>cable, flexing: -25 ... 80 °C (-13 ... 176 °F)<br>cable, fixed: -25 ... 80 °C (-13 ... 176 °F) |
| Pollution Degree    | 3  |

#### Mechanical specifications

|                        |  |      |
|------------------------|--|------|
| Contact elements       | spring-loaded contact socket                                     |      |
| Pin diameter           | 1 mm   |      |
| Protection degree      | IP67   |      |
| Material               |  |      |
| Contacts               | CuSn / Au  |      |
| Contact surface        | Au   |      |
| Body                   | TPU, black   |      |
| Cable                  | PUR  |      |
| Slotted nut            | Diecast zinc   |      |
| Core insulation        | PP   |      |
| Cable                  | fine-strand, flexible  |      |
| Sheath diameter        | Ø 4.8 mm   |      |
| Bending radius         | > 10 x cable diameter, moving<br>5 x cable diameter, single bend |      |
| Color                  | grey   |      |
| Cores                  | 4 x 0.34 mm <sup>2</sup>   |      |
| Conductor construction | 19 x 0.15 mm Ø   |      |
| Shield                 | grid covering 85 %   |      |
| Length                 | L  | 15 m |
| Flammability           |  |      |
| Contact material       | HB   |      |
| Housing                | V-2  |      |

#### Compliance with standards and directives

|                     |                      |
|---------------------|----------------------|
| Standard conformity |                      |
| Protection degree   | EN 60529:2000        |
| Standards           | IEC 61076-2-101:2008 |
| Flammability        | Grip: UL 94          |

### Electrical connection

