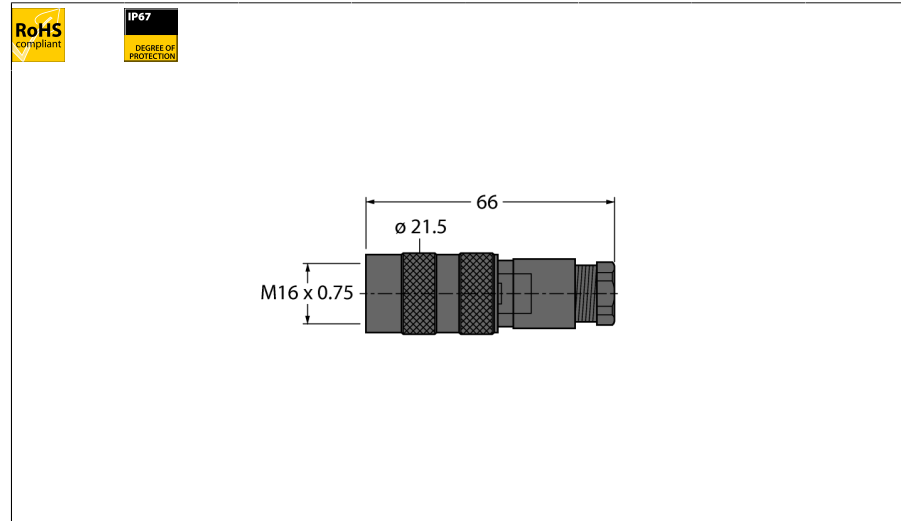
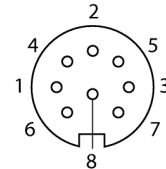


Round connector M16 x 0.75
Female, straight, customizable
BK8-0



- Solder connection
- 8-pin
- PG9 screw-in thread
- Cable feedthrough 6.0...8.0 mm

Pin Assignment



Type designation	BK8-0
Ident no.	6934736
Connector A side	
Number of pins	Field-wireable, female, M16 - 0.75, Straight
Contacts	8
Contact carriers	Bronze, CuSn, Silver-plated
Grip	Plastic, PBT UL94-V0, Black
Coupling nut/screw	Plastic, PA, Black
Screw-in thread	Die-cast zinc, GD-Zn, Nickel-plated
External diameter of the cable	PG9
Core cross-section/Clamping ability	min. 6...8mm
Connection mode	0.14...0.75mm ²
Mechanical lifespan	Solder contact
Pollution degree	> 500 Mating cycles
Protection class	1
	IP67, (screwed together)
Electrical features at +20 °C	
Rated voltage	60 V
Current	5 A
Insulation resistance	≥ 10 ⁸ Ω
Forward resistance	≤ 5 mΩ
Mechanical and chemical properties	
Ambient temperature	
Stationary	-40...+95°C