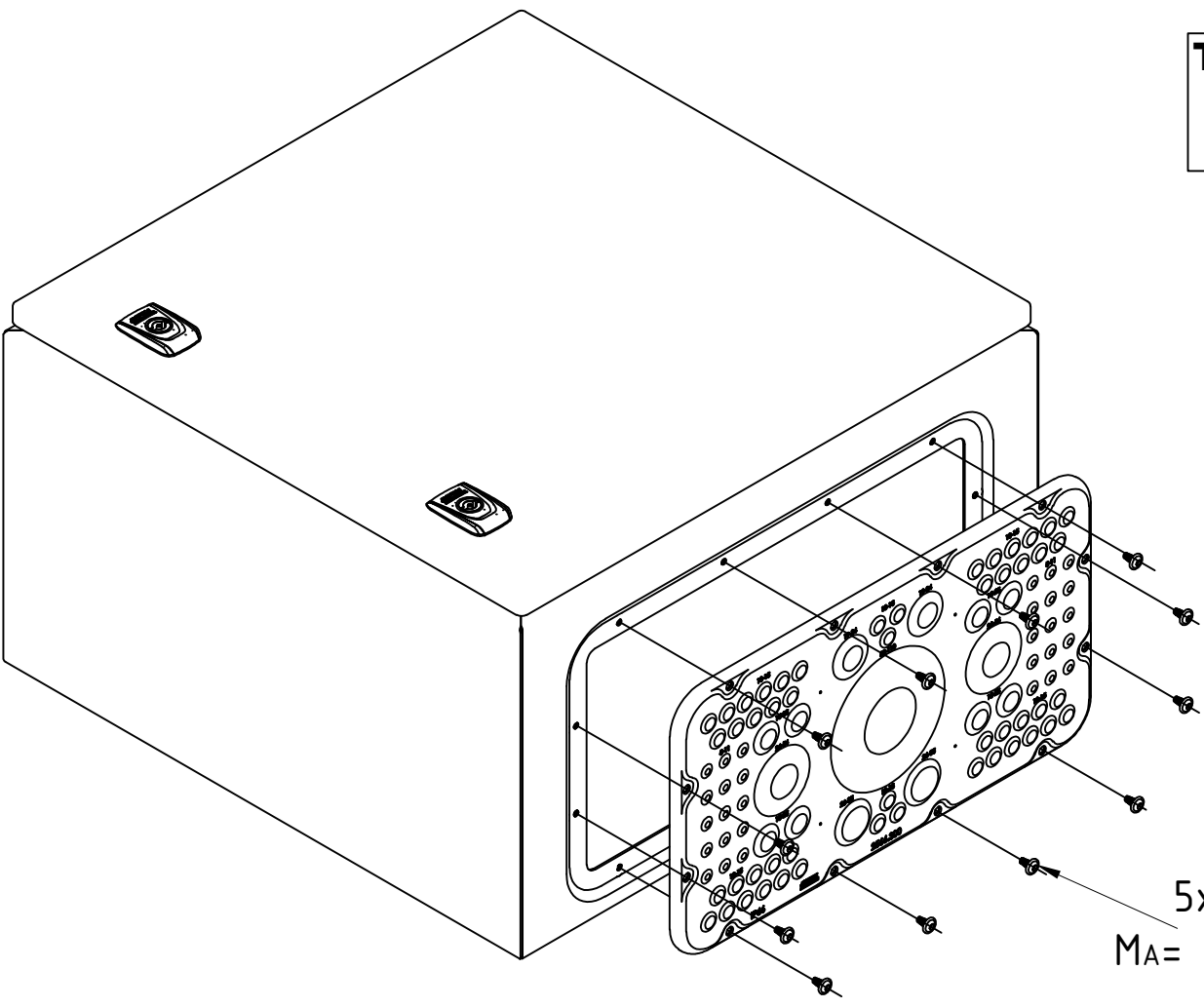


TX25



5x16
MA= 1,5+0,5 Nm



Raum für Verpackungsdatum
Area for date of packing
(MMJJTT / MMYDDD)

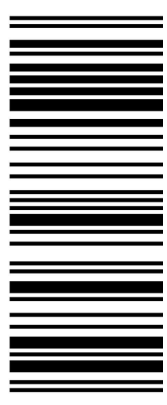


www.rittal.com

SZ

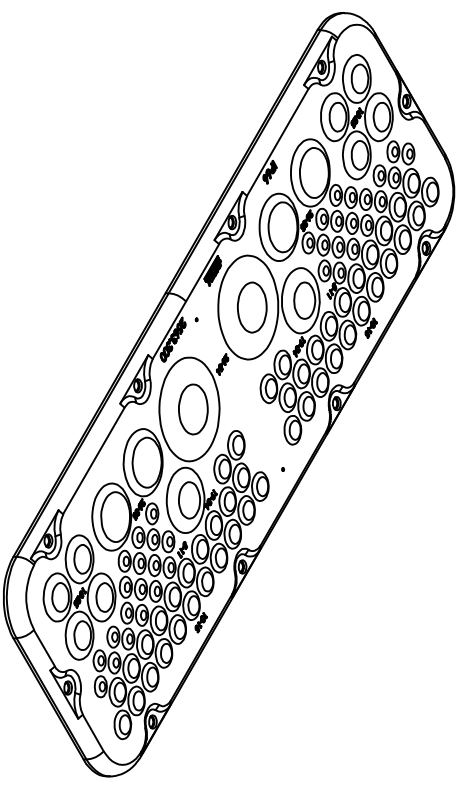
2563.300

AX plastic gland plate
Only for use with Rittal
AX series products



4028177935754

1x



10x



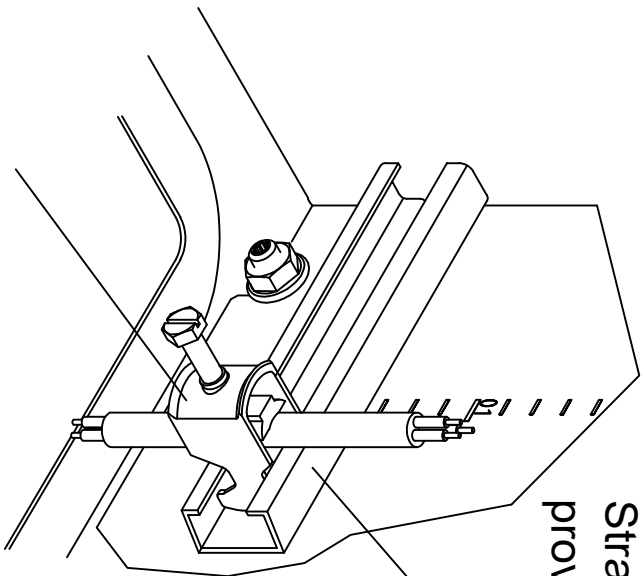
5x16

This gland plate can be used to replace the gland plate and gasket supplied with the AX series.

Zehng.-Nr. / No. of dwg. : A08806701SZ
Versandbeutel-Nr. / No. of accessory bag : -

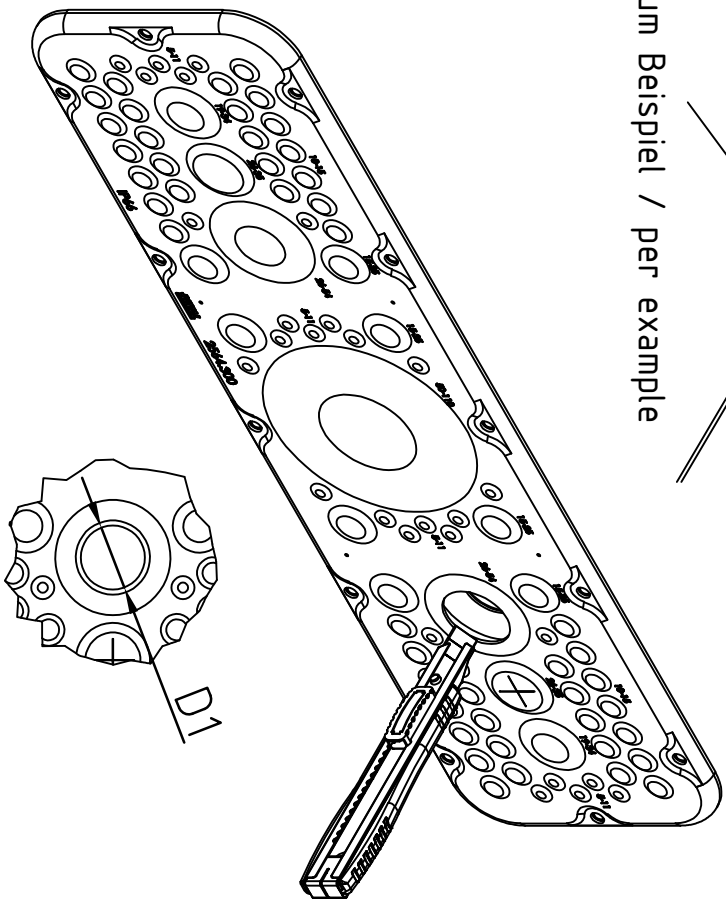
Made in xxx
Lieferanten-Nr. / No. of supplier :

Strain relief must additionally be provided in the end application.



zum Beispiel / per example

zum Beispiel / per example



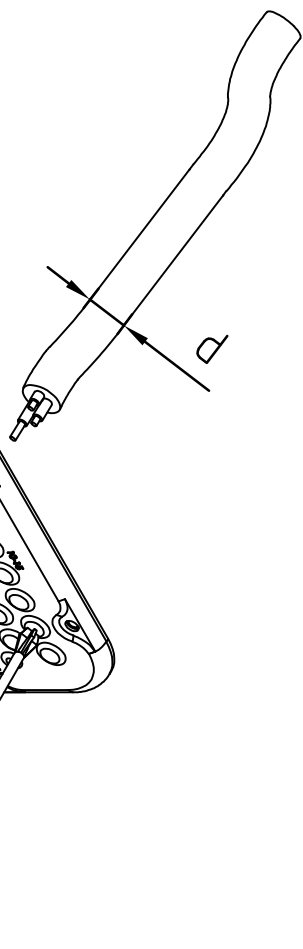
Kreisrund - Schneiden / round cutting

D1= d-15 mm

für/for d= 36-60 mm

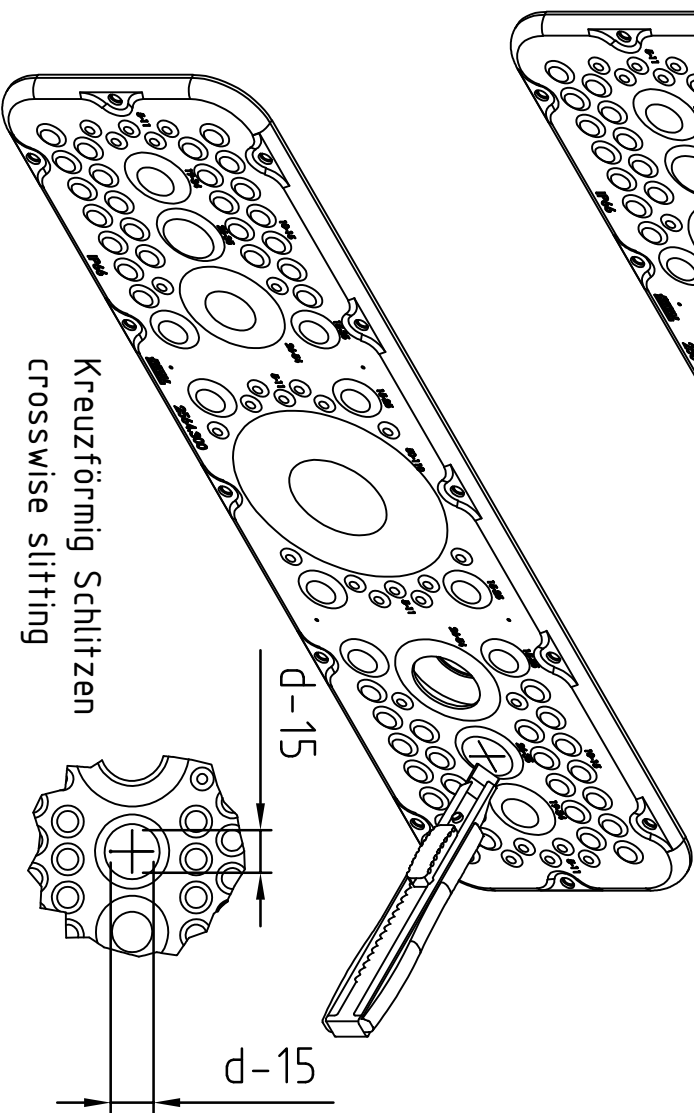
D1= d-20 mm

für/for d= 60-110 mm



Durchstechen / piercing

für/for d= 0-15 mm



Kreuzförmig Schlitzten
crosswise slitting

d-15

15-d

für/for d= 16-35 mm