

**SOLISTRAND**

TE Internal #: 170729-1

TE Internal Description: SOLIS RING UL(#8)

[View on TE.com >](#)



Terminals & Splices > Ring Terminals & Spade Terminals



Wire Size: 13100 – 20800 CMA

Stud Size: 5/16, M8

Stud Diameter: 8.6 mm [ .338 in ]

**Features**

**Product Type Features**

Shape Description	RING-048
Stud Size	5/16, M8
Sealable	No

**Configuration Features**

Number of Holes	1
Terminal Angle	180 °

**Contact Features**

Barrel Type	Closed
Terminal Orientation	Straight
Terminal Plating Material	Tin

**Mechanical Attachment**

Wire Insulation Support	Without
-------------------------	---------

**Dimensions**

Wire Size	13100 – 20800 CMA
Stud Diameter	8.6 mm [.338 in]
Tongue Thickness	1.2 mm [.047 in]
Product Length	30 mm [1.18 in]

**Usage Conditions**

Insulation Option	Uninsulated
-------------------	-------------

**Industry Standards**

--	--



Government Qualified Terminal	No
-------------------------------	----

**Packaging Features**

Packaging Quantity	500
Packaging Method	Box

**Product Compliance**

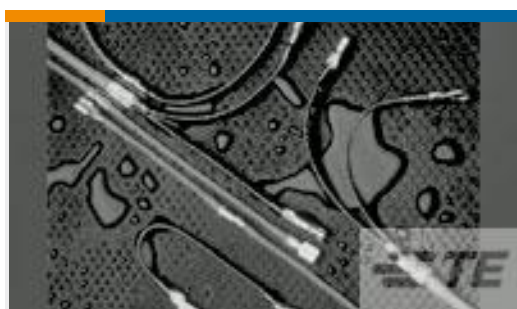
[For compliance documentation, visit the product page on TE.com>](#)

EU RoHS Directive 2011/65/EU	Compliant
EU ELV Directive 2000/53/EC	Compliant
China RoHS 2 Directive MIIT Order No 32, 2016	No Restricted Materials Above Threshold
EU REACH Regulation (EC) No. 1907/2006	Current ECHA Candidate List: JAN 2023 (233) Candidate List Declared Against: JAN 2023 (233) Does not contain REACH SVHC
Halogen Content	Low Halogen - Br, Cl, F, I < 900 ppm per homogenous material. Also BFR/CFR/PVC Free
Solder Process Capability	Not applicable for solder process capability

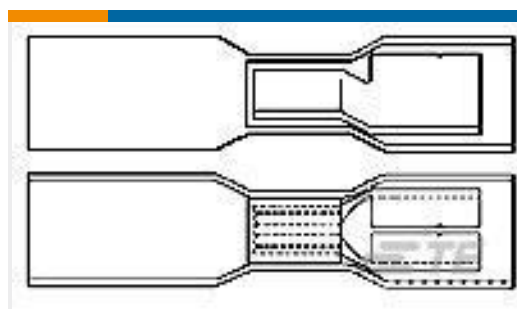
**Product Compliance Disclaimer**

This information is provided based on reasonable inquiry of our suppliers and represents our current actual knowledge based on the information they provided. This information is subject to change. The part numbers that TE has identified as EU RoHS compliant have a maximum concentration of 0.1% by weight in homogenous materials for lead, hexavalent chromium, mercury, PBB, PBDE, DBP, BBP, DEHP, DIBP, and 0.01% for cadmium, or qualify for an exemption to these limits as defined in the Annexes of Directive 2011/65/EU (RoHS2). Finished electrical and electronic equipment products will be CE marked as required by Directive 2011/65/EU. Components may not be CE marked. Additionally, the part numbers that TE has identified as EU ELV compliant have a maximum concentration of 0.1% by weight in homogenous materials for lead, hexavalent chromium, and mercury, and 0.01% for cadmium, or qualify for an exemption to these limits as defined in the Annexes of Directive 2000/53/EC (ELV). Regarding the REACH Regulation, the information TE provides on SVHC in articles for this part number is based on the latest European Chemicals Agency (ECHA) 'Guidance on requirements for substances in articles' posted at this URL: <https://echa.europa.eu/guidance-documents/guidance-on-reach>

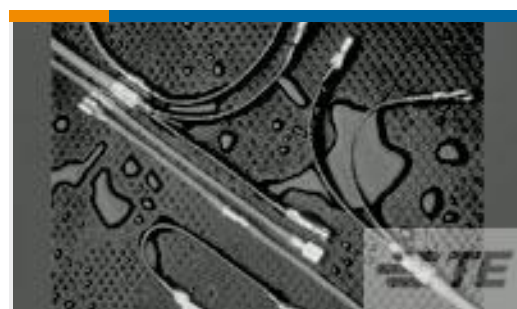
**Customers Also Bought**



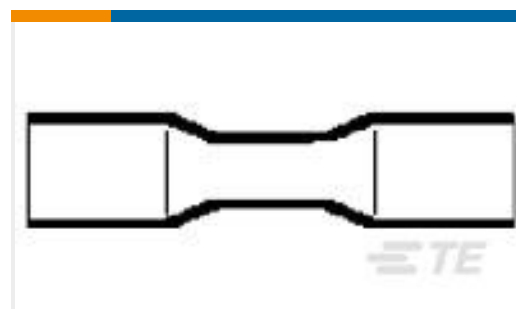
TE Part #CC2648-000  
B-106-1603CS50



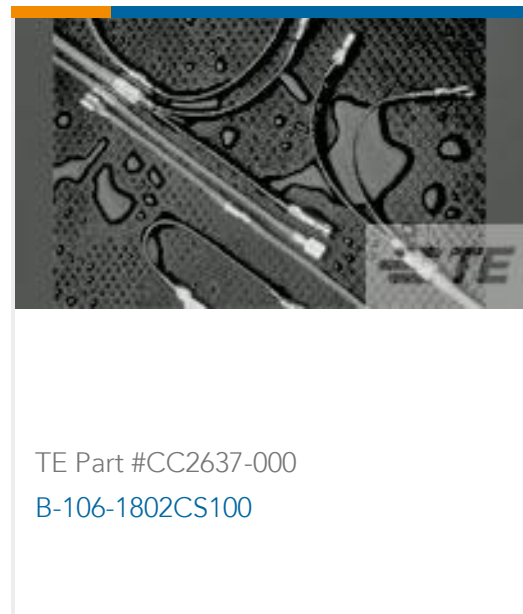
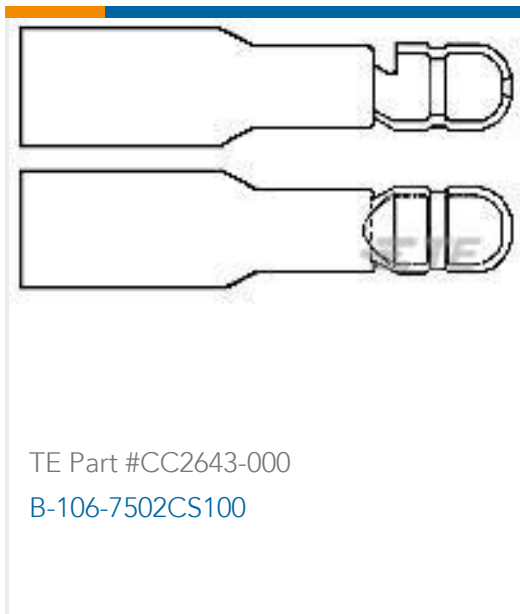
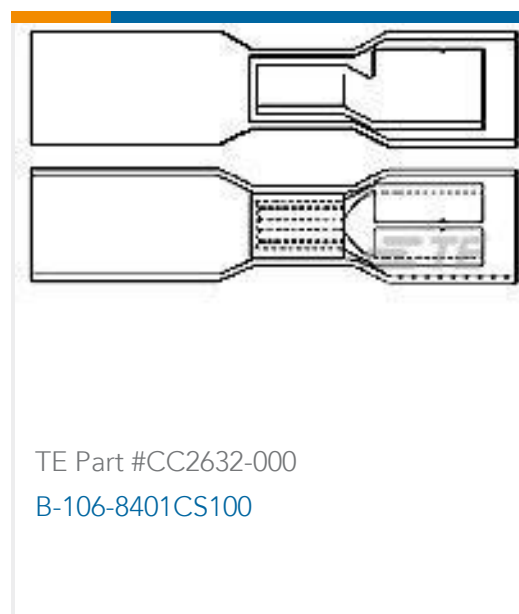
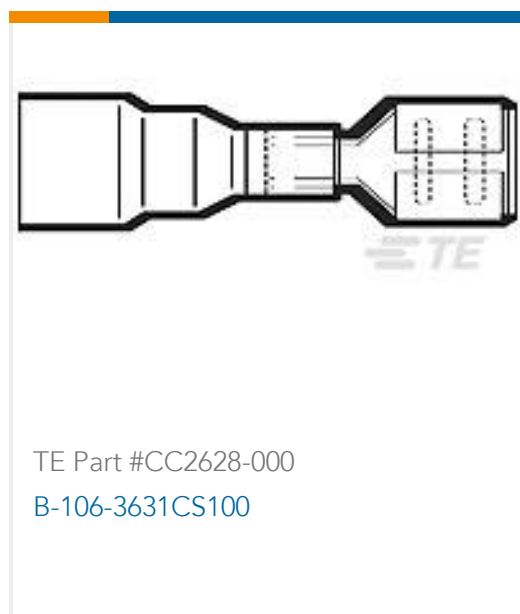
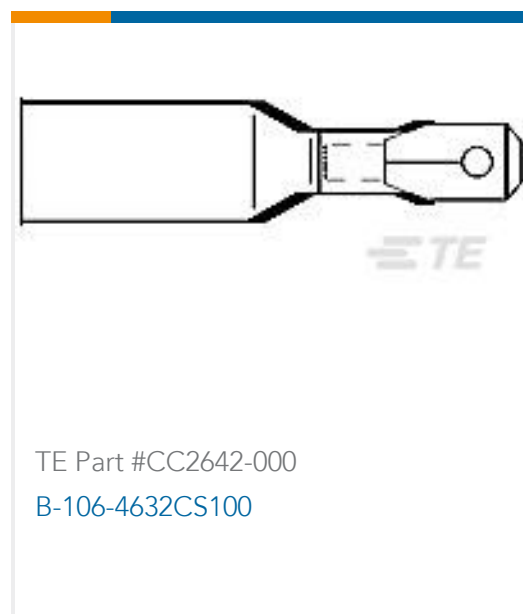
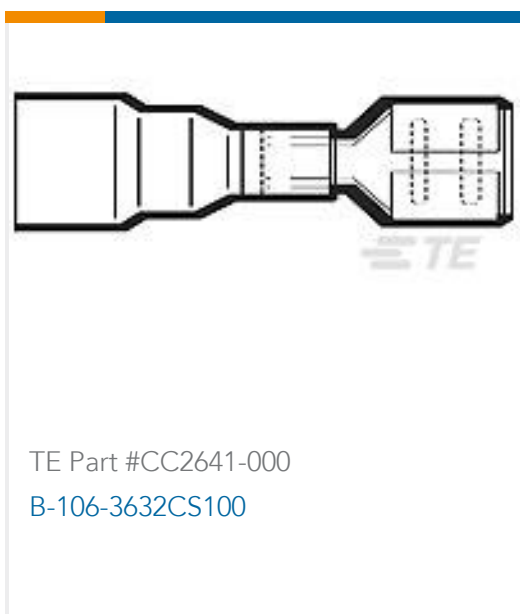
TE Part #CC2644-000  
B-106-8502CS100



TE Part #CC2623-000  
B-106-1601CS100



TE Part #CC2645-000  
D-406-0003CS50



## Documents

### Product Specifications

[Product Specification](#)

English

### SOLISTRAND TERMINALS

English

[Product Specification](#)

English

### NON-INSULATED SOLDERLESS SOLISTRAND TERMINAL FOR COPPER WIRE

English

### NON-INSULATED SOLDERLESS SOLISTRAND TERMINAL FOR COPPER WIRE

Japanese

[Product Specification](#)

Japanese

### Agency Approvals

[UL Report](#)

English