

Cross laser, red, 650 nm, 45°, 3.5 mW

LFC650-5-12(9x20)45-F100
Order Number: 70109382

Main Parameters (*)	min	typ	max	Unit
Wavelength		650		nm
Optical Diode Power	2	3.5	5	mW
Operating Voltage	3	3	12	V DC
Operating Current		30		mA
Operating Temperature	-20		40	°C
Storage Temperature	-40		80	°C

Main Data

Warranty 1 years

Technical Parameters

Lifetime > 3,000 h
RoHS yes

Optical Parameters

Beam Shape Cross
Laser Class 1
Divergence H - 1.0 mrad
Fan Angle 45°
Line Thickness <1mm@0.1m
Operating Distance 0.1 m
Optics acryl lense
Laser technology diode
Focus fixed (100mm)

Electrical Parameters

Potential of Housing VDD(+)
Power Supply LFNT-3

Mechanical Parameters



Size Ø9x20 mm
Material Brass
Cable length 100 mm
Output Aperture 6 mm
Weight 6 g

(*) Over the complete operating temperature range

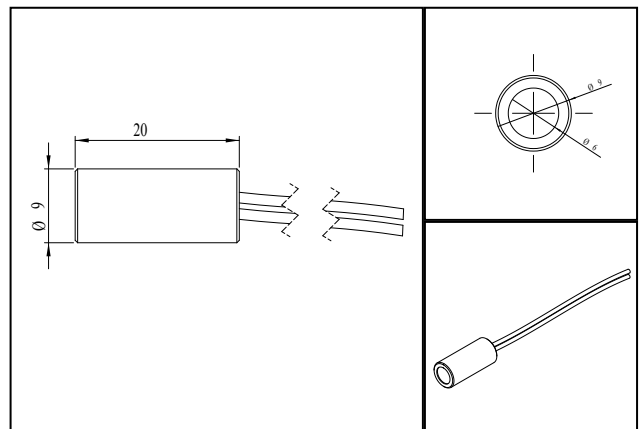
Picture



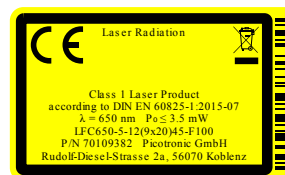
Cable color

Ground		black	GND
positive		red	3 - 12, typ 3 V DC

Drawing



Safety Label



Valid Revision

12 | 17-FEB-2022