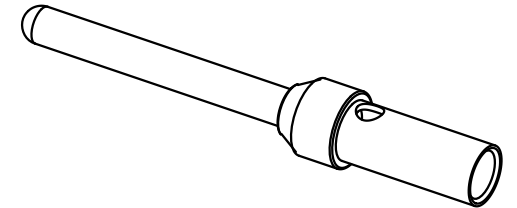
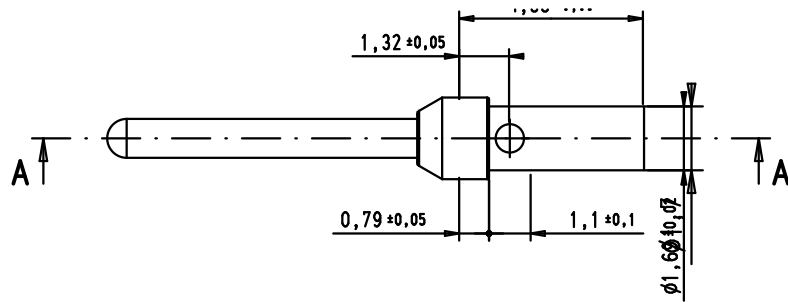


Crimping of AWG 18-22 : hand tool 09 99 000 0501  
and locator 09 99 000 0531



A

5000	09 67 000 3576 580	PL1
100	09 67 000 3576	PL1
Bulk packaging	Part number	Gold plating (over nickel)

EC04018	07/11/11	SD
EC01739	29apr2010	LP
EC01656	12apr2010	LP
Mod.	Dat.	Name

	Dat.	Name
Detail.	12apr2010	LP
Insp.	07/11/11	JB
Stand.		
HARTING EURL F-95972 Paris		



D-Sub	AWG 18-22
male turned crimp contact	
TB09 67 000 357x	
Sub.	

Maßstab/ Scale	5/1
Blatt/ Page	1/1