



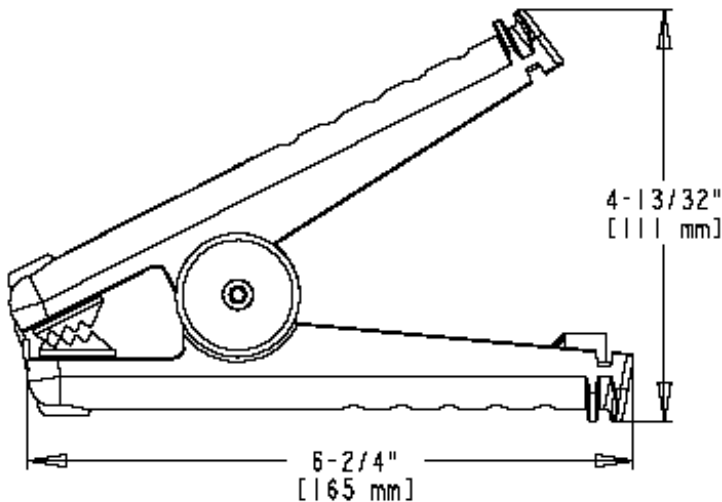
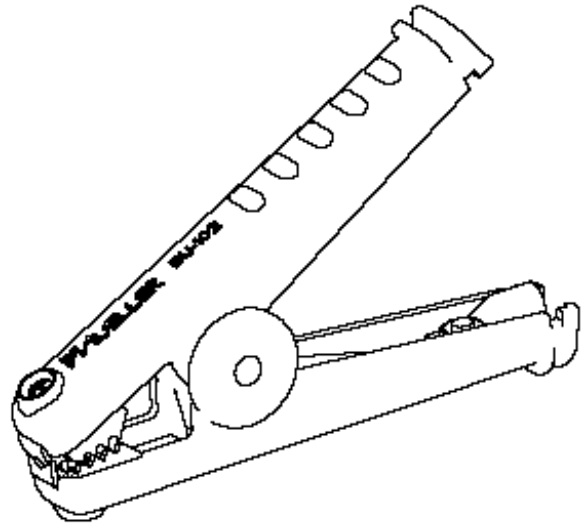
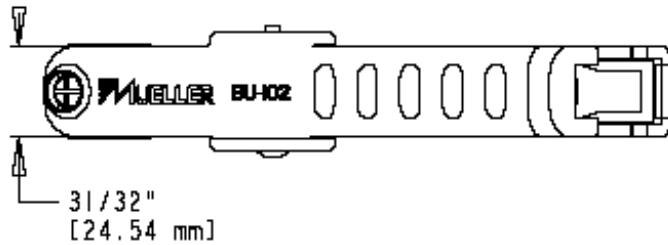
Part Number:

BU-102BK-*

Description:

**Insulated Battery Clip
has Kelvinized isolated jaws**

2907



- Insulated Battery Clip
- Has Kelvinized isolated jaws
- Material: Housing: glass-filled nylon; Jaw: copper;
Spring: Music wire, zinc plated
- Length: 6.5"(165mm)
- *Std. Colors: -0 Black -2 Red
- Rating: 300 Amps