

PERFECT cable gland

50.6xx PAzzzz/zXz

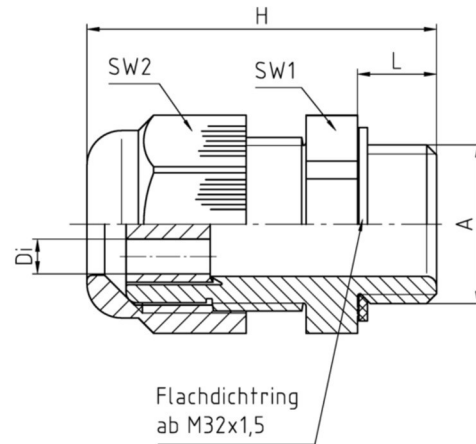
Configuration

Dome nut	Polyamide PA6 V-2
Sealing insert	Evoprene TPE
Gland body	Polyamide PA6 V-2
Connecting thread	metric, as per EN 60423



Properties

Temperature range	-20°C +100°C
Protection grade	IP65 if diameters of bore holes in the sealing insert and cable diameters are almost identical
Comment	<ul style="list-style-type: none"> sealing insert for the installation of several single cables <p>please indicate required sealing insert, e.g. 50.612 PA/4x2 sealing inserts - see under accessories - series WJ-DM xx/zXz</p>




Features



RAL 9005


Connecting thread standard length

A	L	SW1	SW2	H		Part No.
	mm	mm	mm	mm	Piece	
M12x1,5	8	15	15	31	100	50.612PA/SW/zXz
M16x1,5	8	20	20	35,5	100	50.616PA/SW/zXz
M20x1,5	8	24	24	36	100	50.620PA/SW/zXz
M25x1,5	8	29	29	43	50	50.625PA/SW/zXz
M32x1,5	10	36	36	50	25	50.632PA/SW/zXz
M40x1,5	10	46	46	51	10	50.640PA/SW/zXz



RAL 7035


Connecting thread standard length

A	L	SW1	SW2	H		Part No.
	mm	mm	mm	mm	Piece	
M12x1,5	8	15	15	31	100	50612PA7035/zXz
M16x1,5	8	20	20	35,5	100	50616PA7035/zXz
M20x1,5	8	24	24	36	100	50620PA7035/zXz
M25x1,5	8	29	29	43	50	50625PA7035/zXz
M32x1,5	10	36	36	50	25	50632PA7035/zXz
M40x1,5	10	46	46	51	10	50640PA7035/zXz



RAL 7001

Connecting thread standard length

A	L	SW1	SW2	H		Part No.
	mm	mm	mm	mm	Piece	
M12x1,5	8	15	15	31	100	50.612 PA/zXz
M16x1,5	8	20	20	35,5	100	50.616 PA/zXz
M20x1,5	8	24	24	36	100	50.620 PA/zXz
M25x1,5	8	29	29	43	50	50.625 PA/zXz
M32x1,5	10	36	36	50	25	50.632 PA/zXz
M40x1,5	10	46	46	51	10	50.640 PA/zXz