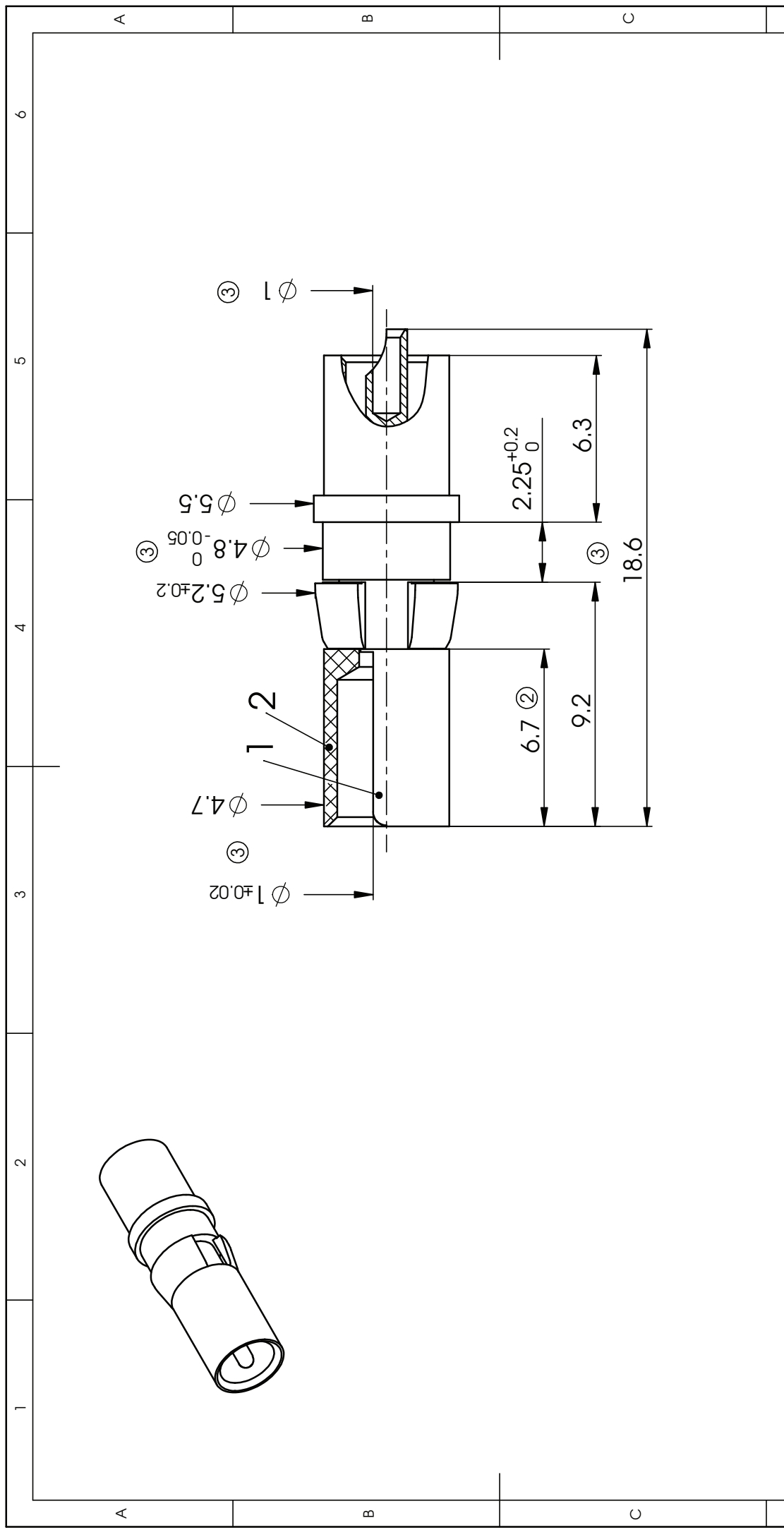


COMMENT:
 ALL RIGHTS ARE RESERVED BY US FOR THIS DRAWING. WITHOUT OUR PRIOR CONSENT,
 IT MAY NEITHER BE DUPLICATED NOR MADE AVAILABLE TO A THIRD PARTY,
 AND IT ALSO MAY NOT BE IMPROPERLY USED BY THE RECEIVER, OR A THIRD PARTY.



FOR D-SUB or EN 60603-2		HIGH VOLTAGE CONTACT		SCALE 5:1	
DIMENSIONS IN MM		DRAWN		NAME / DATE	
MATERIAL + FINISH SEE EXTRA SHEET		CHECKED		erappenglitz 14-10-2004	
UNLESS OTHERWISE SPECIFIED DIMENSIONS FOR REFERENCE ONLY		11427		fuhmann 17-08-2006	
3	10-07-2007	DATE	INDEX	PART NO. FMV001S_K	
1	2	REV.	DATE	INDEX	REPLACEMENT FOR: REV. 3
ORIGINAL: DIN A4-DRAWING AS A FILE			PAGE: 1/1		