



SPRING TERMINALS

Our family of spring terminals are made from ABS / Brass with a Nickel plated finish.



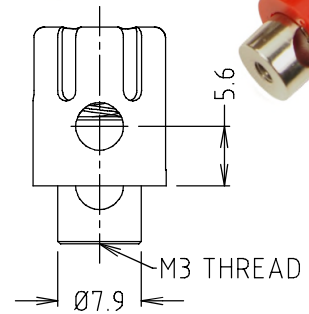
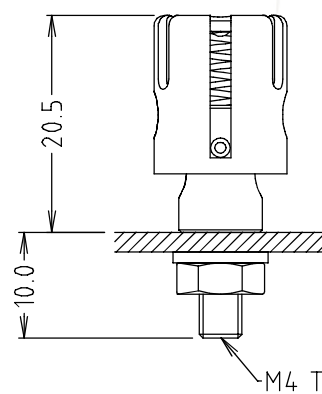
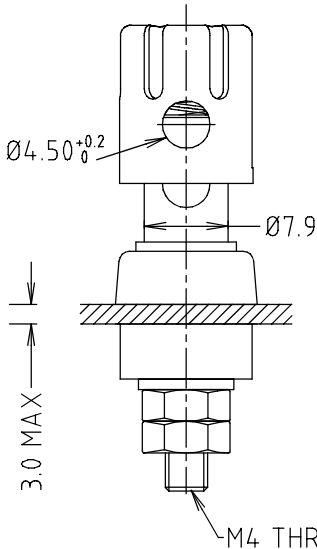
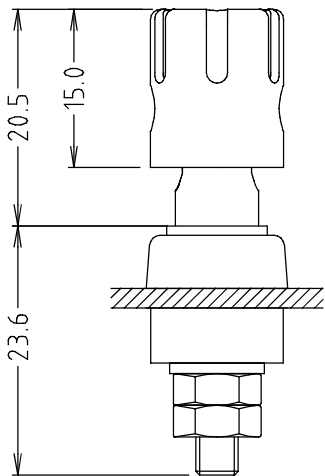
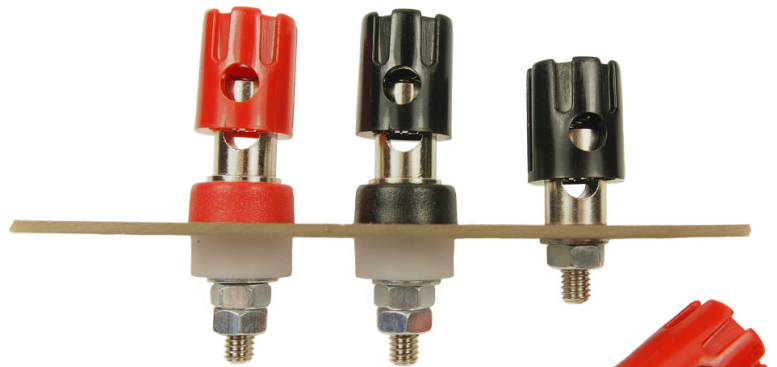
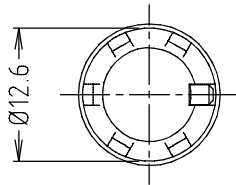
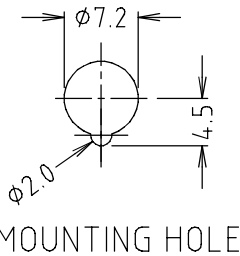
CL681560 SPRING TERMINAL M4L SPT3 RED
CL681561 SPRING TERMINAL M4L STP3 BLACK



CL681570 SPRING TERMINAL M4S SPT2 RED
CL681571 SPRING TERMINAL M4S STP2 BLACK



CL681580 SPRING TERMINAL SPT1 RED
CL681581 SPRING TERMINAL STP1 BLACK



Rated: 48V, 15A. max.