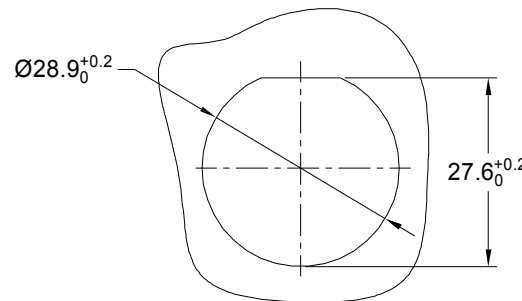
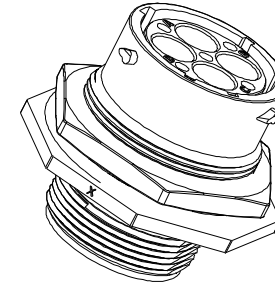
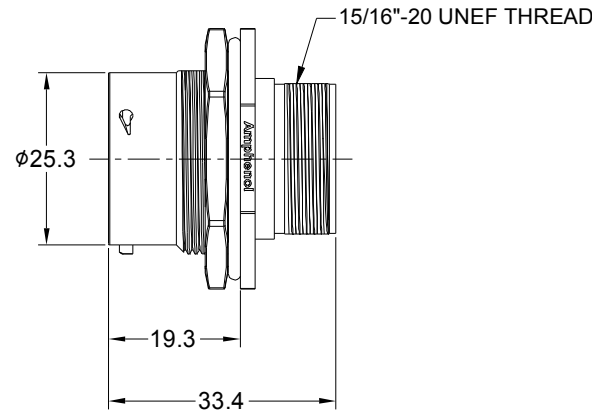
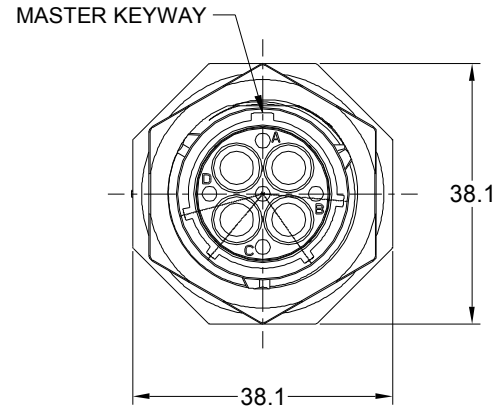


| REVISIONS | | | | | |
|-----------|-----|--------------------------------|-------------|-------|-------|
| REV | ECO | DESCRIPTION | DATE | BY | APPR |
| A1 | - | RELEASED DRAWING | Dec-26-2016 | Ben | Tommy |
| A2 | - | UPDATE NOTES | Jul-05-2017 | Nick | Tommy |
| A3 | - | UPDATE DRAWING | Mar-20-2018 | White | Tommy |
| A4 | - | UPDATE DESCRIPTION AND VOLTAGE | SEP-23-2021 | BLINK | TOMMY |



PANEL CUT OUT REFERENCE

NOTES : (UNLESS OTHERWISE SPECIFIED)

- MATERIAL :
 - SHELL : THERMOPLASTIC , UL94 V-0.
 - INSERT : THERMOPLASTIC , UL94 V-0.
 - O-RING : NBR/SILICONE RUBBER.
 - SEAL GASKET : NBR/SILICONE RUBBER.
 - JAM NUT : ALUMINIUM ALLOY , BLACK ANODIZING.
- SPECIFICATIONS :
 - 2.1 RATED CURRENT : 45A (MAX).
 - 2.2 RATED VOLTAGE : 600V(AC/DC).
 - 2.3 OPERATING TEMPERATURE : SEE TABLE.
 - 2.4 DIELECTRIC WITHSTANDING VOLTAGE : LESS THAN 2 MILLIAMPS CURRENT LEAKAGE@2000 VOLTS AC.
 - 2.5 INSULATION RESISTANCE : 5000 MEGOHMS MIN.
 - 2.6 IP--CLASS : IP67 AND IP69K IN THE MATED CONDITION, PANEL EXTERNAL.
 - 2.7 MATING CYCLES DURABILITY : 500 CYCLES MIN.
 - 2.8 RoHS COMPLIANT.
- SUITABLE CONTACTS : 8# CONTACT.
- ALL DIMENSIONS ARE FOR REFERENCE USE ONLY.

| KEY | PART NUMBER | |
|-----|-------------|---------------|
| | | -40°C ~ 105°C |
| N | RTS716N4P | RTS716N4P03 |

| QUANTITY | PART NUMBER | DESCRIPTION | ITEM |
|--|-------------|---|------|
| MATERIALS LIST | | | |
| UNLESS OTHERWISE SPECIFIED 1) All dimensions are in metric(mm). 2) Tolerances are as follows: 1 PL DEC ± 0.30 2 PL DEC ± 0.15 3 PL DEC ± 0.08 Fractions $\pm 1/64$ Angles $\pm 1^\circ$ 3) Note reference = | | SIGNATURES DATE DRAWN: BLINK SEP-23-2021 CHECKED: ORION SEP-24-2021 ENGINEER: APPROVAL: TOMMY SEP-27-2021 CUSTOMER: | |
| MATERIAL SPECIFICATIONS: PROCESS SPECIFICATIONS: NEXT ASSY: | | Sine Systems - www.amphenol-sine.com 44724 Morley Drive Clinton Township, MI 48036 EcoMate Aquarius, RECEPTACLE, JAM NUT, SIZE 16,4POS,PIN. THIS DRAWING IS SUPPLIED FOR INFORMATION ONLY. DESIGN FEATURES, SPECIFICATIONS AND PERFORMANCE DATA SHOWN HEREON ARE THE PROPERTY OF THE AMPHENOL CORPORATION. NO RIGHTS OF REPRODUCTION ARE IMPLIED. ALL DIMENSIONS ARE SUBJECT TO NORMAL MANUFACTURING VARIATIONS. | |
| SIZE: B C- SCALE: NONE | | DWG NO: RTS716*4Pxx REVISION: A4 SHEET 1 OF 1 | |

TITLE: EcoMate Aquarius,RECEPTACLE, JAM NUT, SIZE 16,4POS, PIN.
 DWG NO.:
 RTS716*4Pxx
 REV: A4
 SH: 1
 OF: 1

ecomate® RM/RSSM/Aquarius™ - Contact Size 3.6mm (1604 Insert Arrangement) Options

| Crimp Contacts, 1604 Insert Arrangement, Machined | | | | | |
|---|------------|-------|-------------------------------|------------------|------------|
| Part Number | | AWG | Wire Range (mm ²) | For Use w Endcap | Plating |
| Male | Female | | | | |
| MP10A23T | MS10A23T | 12-10 | 3.0 - 6.0 | Yes | Tin |
| MP10A23S | MS10A23S | 12-10 | 3.0 - 6.0 | Yes | Silver |
| MP10A23F | MS10A23F | 12-10 | 3.0 - 6.0 | Yes | Gold Flash |
| MP10A23G5 | MS10A23G5 | 12-10 | 3.0 - 6.0 | Yes | Gold 5μ" |
| MP10S23G10 | MS10A23G10 | 12-10 | 3.0 - 6.0 | Yes | Gold 10μ" |
| MP10A23G15 | MS10A23G15 | 12-10 | 3.0 - 6.0 | Yes | Gold 15μ" |
| MS10A23G30 | MS10A23G30 | 12-10 | 3.0 - 6.0 | Yes | Gold 30μ" |

| Tooling, Machined | |
|-------------------|--|
| Part Number | Description |
| QXRT08 | Contact Extraction Tool, # 8 (Ø 3.6mm) Contact |
| M300BT | Hand Crimper |
| WA27-300BT-EP | Pneumatic Crimper |
| TP968 | Locator M3200BT and WA27-300BT-EP |

| Plating Options | |
|-----------------|------------------------------|
| Symbol | Plating |
| T | Tin Plating Over Nickel |
| S | Silver Plating Over Nickel |
| F | Gold Plated |
| G5 | Gold Plated (Thickness 5μ") |
| G10 | Gold Plated (Thickness 10μ") |
| G15 | Gold Plated (Thickness 15μ") |
| G30 | Gold Plated (Thickness 30μ") |