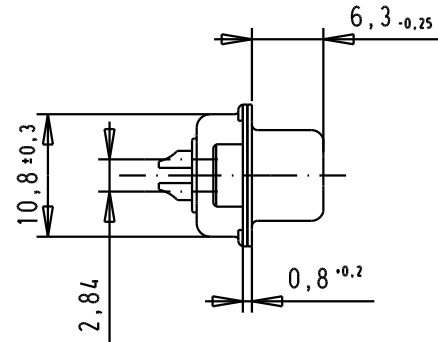
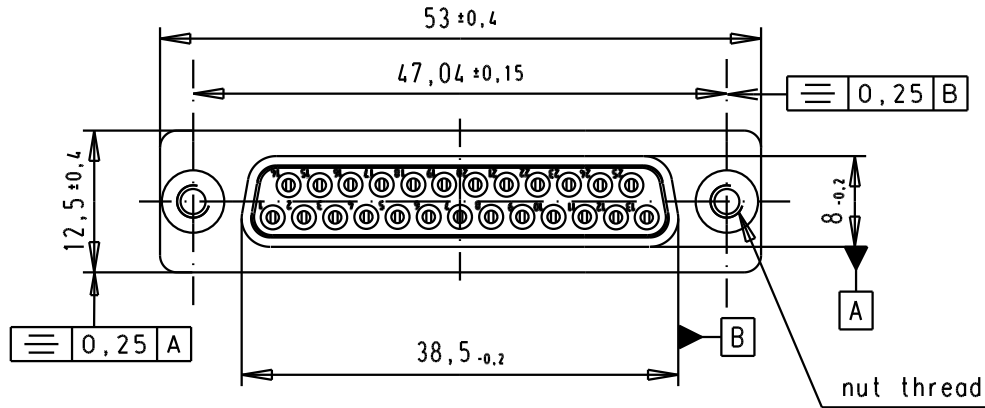
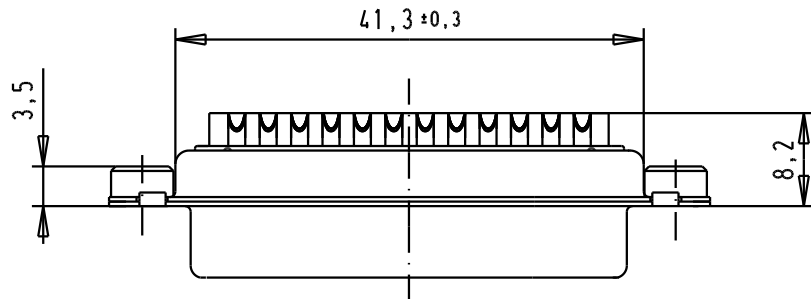


5 4 3 2 1



Solder buckets for AWG 20 Max

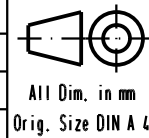


SPECIFICATION

Mating Cycles	500
Filter type	C
Capacitance	1000pf±20%
Working Voltage	100v
Current Rating	7.5A
Insulation Resistance	>1GΩ

FREQUENCY (MHz)	ATTENUATION (dB)
5	1dB
10	3dB
50	12dB
100	20dB
500	34dB
1000	30dB

Mod.	Dat.	Name	
	8-JUL-02	CV	Detail.
			Insp.
33271	28/11/05	JMDR	Stand.
32248	28/10/04	TR	
31058	8-JUL-02	CV	



D-Sub, Female, Straight
25 Poles, solder buckets,
tin plated shell with
clinch nuts

Maßstab/
Scale
1.5:1

09643117238	M3
09643117237	UNC 4-40
Part number	Nut thread

HARTING EURL
F-95972 Paris



TB 0964311723x

Sub.

Blatt/ Page
1 / 1

D

C

B

A