

Power Solid-State Relais PSSR 1PH CONTROL UNIT

Weidmüller Interface GmbH & Co. KG
Klingenbergstraße 16
D-32758 Detmold
Germany
Fon: +49 5231 14-0
Fax: +49 5231 14-292083
www.weidmueller.com

Product image



- Monitoring of up to 5 consumers connected in parallel
- Monitoring of single failure and short-circuit
- Can be plugged into the single-phase PSSRs with heat sink
- Feedback output for error message
- Teach button on the module and external teach input
- Undercurrent switching threshold: $0.84 \times I_{teach}$

General ordering data

Type	PSSR 1PH CONTROL UNIT
Order No.	1406230000
Version	Power Solid-State Relais, Current monitoring, Screw connection
GTIN (EAN)	4050118206739
Qty.	1 pc(s).

Power Solid-State Relais PSSR 1PH CONTROL UNIT

Weidmüller Interface GmbH & Co. KG
Klingenbergstraße 16
D-32758 Detmold
Germany
Fon: +49 5231 14-0
Fax: +49 5231 14-292083
www.weidmueller.com

Technical data

Dimensions and weights

Width	25 mm	Width (inches)	0.984 inch
Height	112.3 mm	Height (inches)	4.421 inch
Depth	65 mm	Depth (inches)	2.559 inch
Net weight	85 g		

Temperatures

Humidity	40...85 % (indoor) no condensation	Operating temperature, max.	80 °C
Operating temperature, min.	-40 °C	Storage temperature, max.	125 °C
Storage temperature, min.	-40 °C	Operating temperature	-40 °C...80 °C
Storage temperature	-40 °C...125 °C		

Environmental Product Compliance

REACH SVHC	Lead 7439-92-1
------------	----------------

Supply

Voltage supply	8...30 V DC	Current consumption	≤ 20 mA (feedback output unloaded), ≤ 120 mA (switched feedback output max. loaded)
Protective circuit	Varistor, Reverse polarity protection		

Control side

Rated control voltage (control input)	4...30 V DC	Nominal control current (control input)	≤ 2.5 mA
Rated control voltage (external teach input)	4...30 V DC	Nominal control current (external teach input)	≤ 2.5 mA
Cut-in / dropout voltage	2 V DC		

Control output to the PSSR

Nominal switching voltage	8...30 V DC	Solid-state type	Transistor
Switch-on delay	≤ 15 ms	Switch-off delay	≤ 16 ms

Feedback output

Solid-state type	MOS-FET	Nominal switching voltage	8...30 V DC
Continuous current	0.1 A	Switch-on delay	≤ 100 ms
Switch-off delay	≤ 100 ms		

Current monitoring

Undercurrent switching threshold	0.84 x I _{setting}	Leakage current in PSSR output, max.	0.3 A
----------------------------------	-----------------------------	--------------------------------------	-------

Current transformer

Current measurement range AC, min.	2 A	Current measurement range AC, max.	40 A
Current sensor hole diameter	9 mm		

**Power Solid-State Relais
PSSR 1PH CONTROL UNIT**

Weidmüller Interface GmbH & Co. KG
 Klingenbergstraße 16
 D-32758 Detmold
 Germany
 Fon: +49 5231 14-0
 Fax: +49 5231 14-292083
 www.weidmueller.com

Technical data**General data**

Colour	black
--------	-------

Insulation coordination

Pollution severity	2	Surge voltage category	III
Protection degree	IP20		

Further details of approvals / standards

Standards	EN 60947-4-3, EN 60950
-----------	------------------------

Connection data

Wire connection method	Screw connection	Tightening torque, min.	0.4 Nm
Tightening torque, max.	0.5 Nm	Clamping range, rated connection	1.5 mm ²
Clamping range, min.	0.15 mm ²	Clamping range, max.	2.5 mm ²
Wire connection cross-section, finely stranded, min.	0.2 mm ²	Wire connection cross section, finely stranded, max.	1.5 mm ²
Wire cross-section, finely stranded, min. (AWG)	AWG 26	Wire cross-section, finely stranded, max. (AWG)	AWG 12
Conductor cross-section, flexible, AEH (DIN 46228-1), min.	0.2 mm ²	Conductor cross-section, flexible, AEH (DIN 46228-1), max.	1.5 mm ²
Blade size	0.6 x 3.5 mm		

Classifications

ETIM 5.0	EC001437	ETIM 6.0	EC001440
eClass 6.2	27-37-16-01	eClass 7.1	27-37-16-01
eClass 8.1	27-37-16-01	eClass 9.0	27-37-18-02
eClass 9.1	27-37-18-02		

Approvals

Approvals



ROHS	Conform
------	---------

Downloads

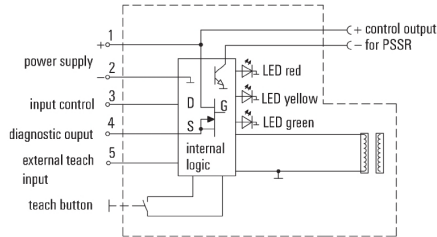
Approval/Certificate/Document of Conformity	DE_PA5600_160620_005.pdf
Brochure/Catalogue	CAT 4.2 ELECTR 18/19 EN
Engineering Data	EPLAN, WSCAD
Engineering Data	STEP
User Documentation	Manual

**Power Solid-State Relais
PSSR 1PH CONTROL UNIT**

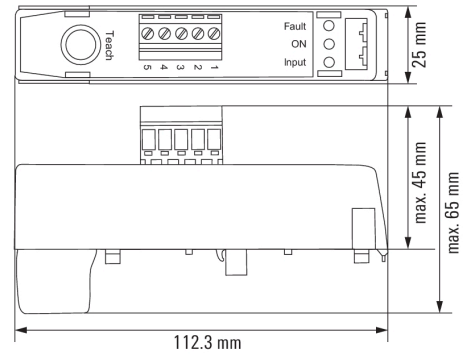
Weidmüller Interface GmbH & Co. KG
 Klingenbergstraße 16
 D-32758 Detmold
 Germany
 Fon: +49 5231 14-0
 Fax: +49 5231 14-292083
 www.weidmueller.com

Drawings

Wiring diagram



Dimensional drawing

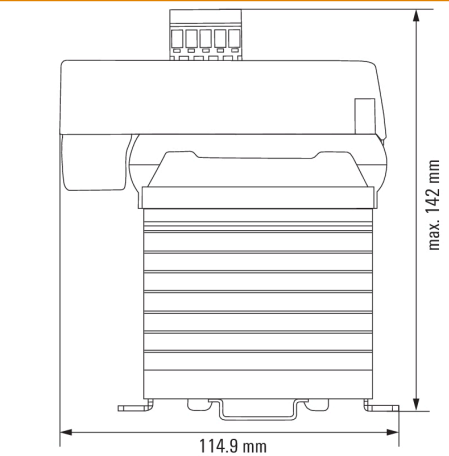


Example of use



Current monitoring module mounted on a single-phase PSSR

Dimensional drawing



Dimensions of a current-monitoring module mounted on a single-phase PSSR