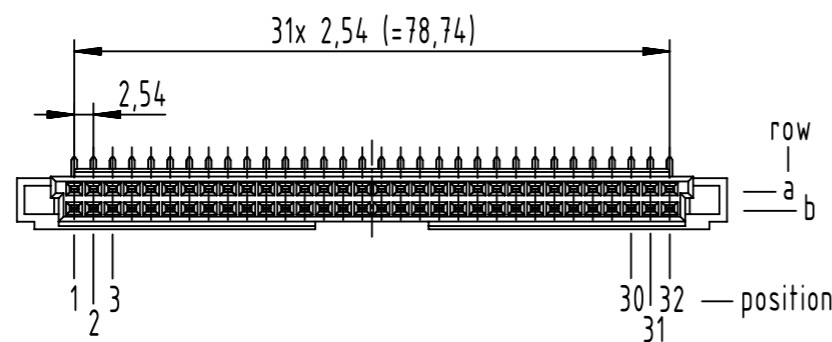
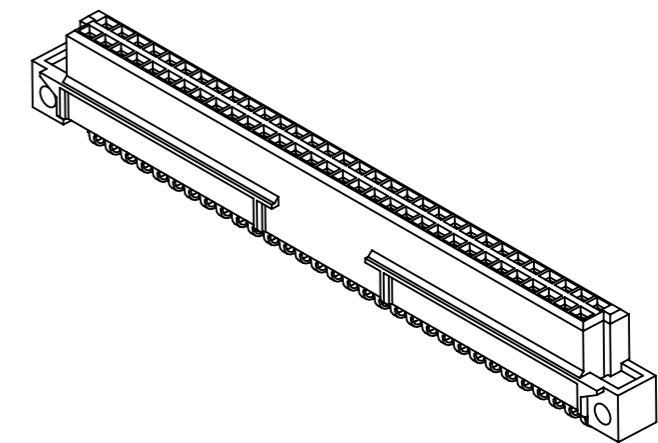
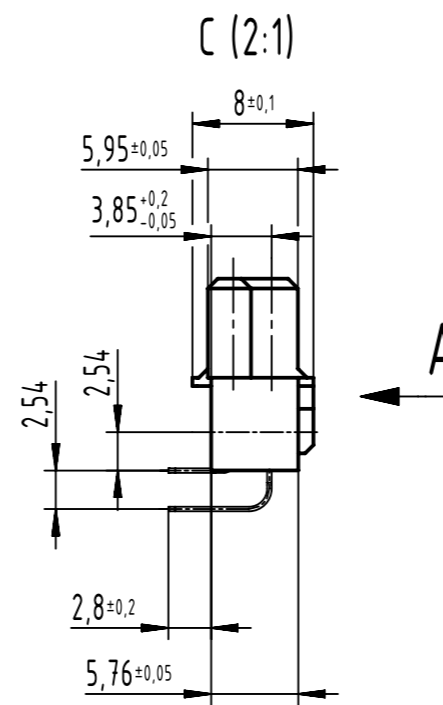
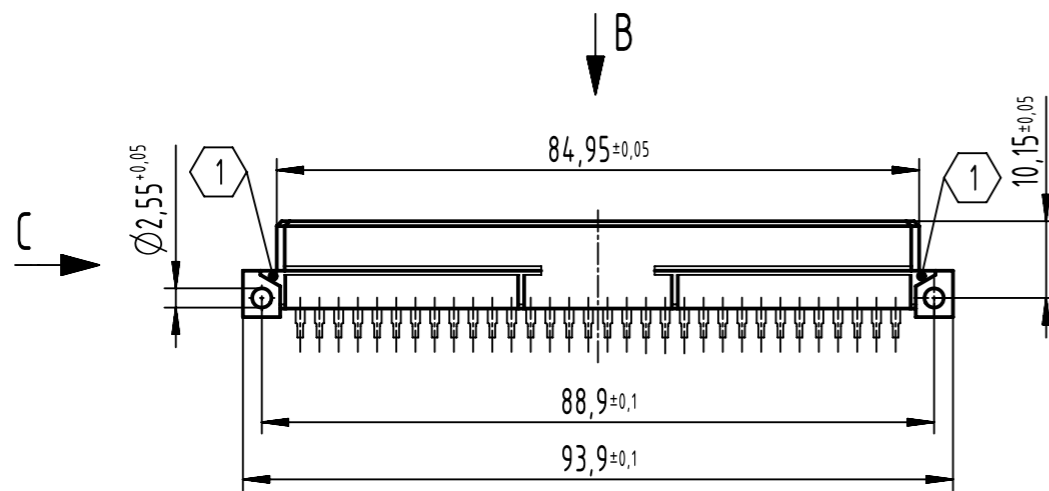


64 solder contacts

X = solder contact

□ = position without contact



1 production process related cutting area,
no functional impact
further information see product data sheet

09 72 264 6801	2
09 72 264 2801	1
part no.	performance level

	All Dimensions in mm Original Size DIN A3	Scale 1:1	Free size tol. IEC 60603-2	Ref. Sub.
	All rights reserved Department EL PD	Created by STORCK	Inspected by LEHNERT	Standardisation 302077
HARTING D-32339 Espelkamp	Title DIN Signal type Q female solder angled 64-pole			Date 2021-03-25
	Type TB	Number 0972264X801	State Final Release	Doc-Key / ECM-Nr. 100612646/UGD/005/C 500000191909
			Rev. C	Page 1/1