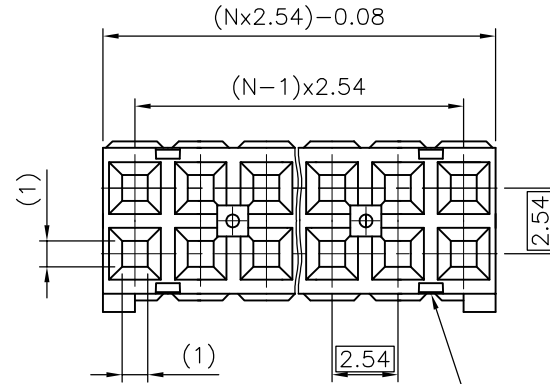


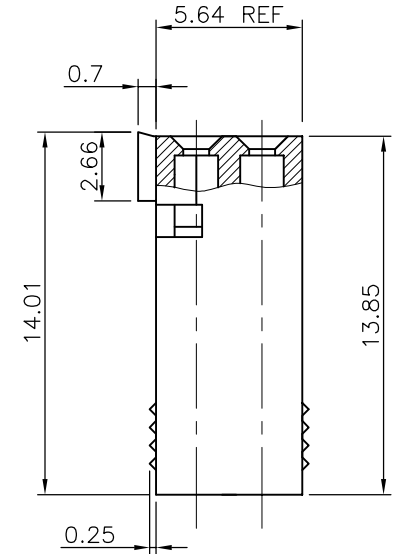
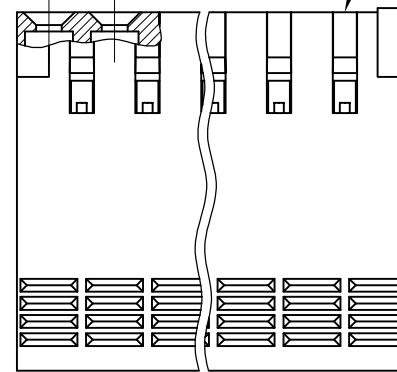
PRODUCT NUMBER

65239-YXXLF

- WHEN NEEDED, SUFFIX LETTER "LF" INDICATES THE PRODUCT IS RoHS COMPLIANT, SEE NOTE 6
- NUMBER OF CAVITIES PER ROW : 02 TO 36.
- PLASTIC MATERIAL COLOR CODE.
- 0 = BLUE
- 1 = GREY



SEE NOTE 2



NOTES:

- 1 - HOUSING MAT'L: THERMOPLASTIC GLASS FILLED FLAME RETARDANT PER UL 94 V-0.
- 2 - OVER DASH -007 ONLY FIRST AND LAST THREE POSITIONS MUST HAVE GROOVES ON TWO SIDES.
- 3 - PRODUCT PACKED IN PLASTIC BAG.
- 4 - TO DETERMINE DIMENSIONS:
N = NUMBER OF POSITIONS
EXAMPLE: 8 POS: $(N \times 2.54) - 0.08 = 20.24$ mm.
- 5 - FOR TECHNICAL APPLICATION SEE TA317.
- 6 - RoHS COMPATIBLE PRODUCT SPECIFICATIONS

a - LABELING:

- MEETS PACKAGING SPECS AS PER GS-14-920

b - LEGAL STATEMENT: SEE GS-22-008

THE PRODUCT IS NOT INTENDED TO BE EXPOSED TO A MANUFACTURING SOLDER PROCESS.

mat'l. code		surface		tolerance		projection		product family	
SEE NOTE		ISO 1302		ISO 406		ISO 101		DUBOX	
ltr	ecn no	dr	date	tolerances unless otherwise specified		mm		title	
M	F05-0236	DLE	05.08.24	±0.3		mm		ctw HOUSING DR	
N	F05-0286	DLE	05.11.07	angles	linear	scale 5:1			
P	F06-0146	DLE	06.03.10	±2'					
R	F06-0225	DLE	06.07.07	dr	L.MULIN	00.08.30	dwg no		sheet 1 of 1
				engr	P.NIZZI	00.08.30	65239		size
K	F04-0347	DLE	04.12.10	chr	JF.NOTTEAU	00.08.30			A3
L	F05-0169	DLE	05.04.07	appd	P.NZ	00.08.30	type		CUSTOMER Drawing
sheet index	revision	sheet							



Copyright FCI