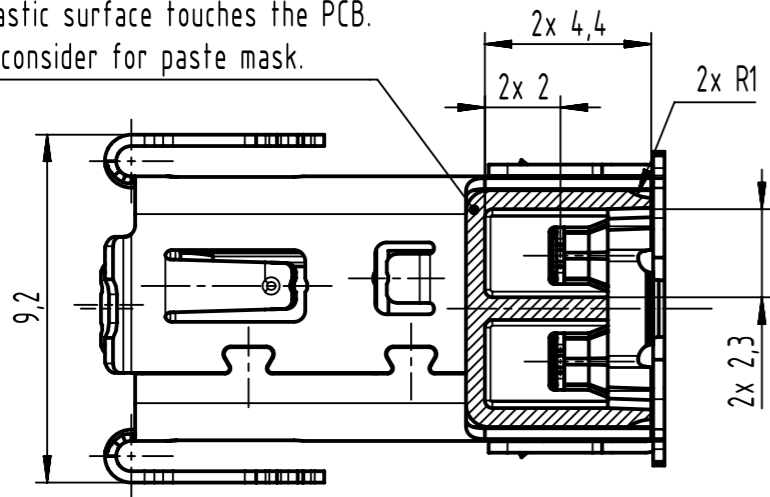
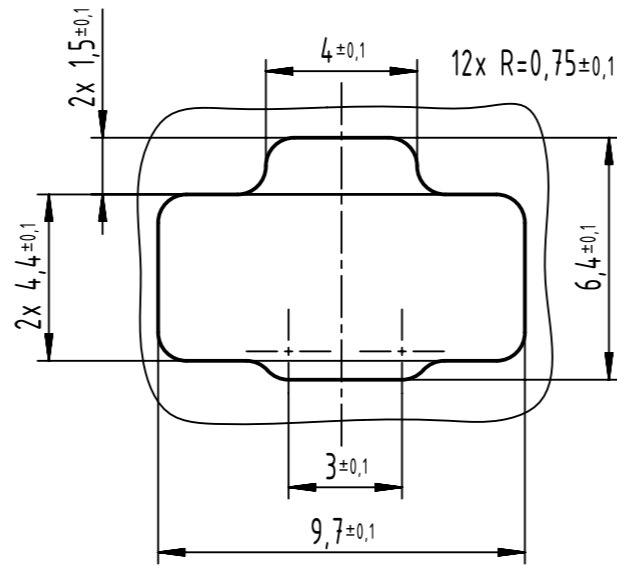


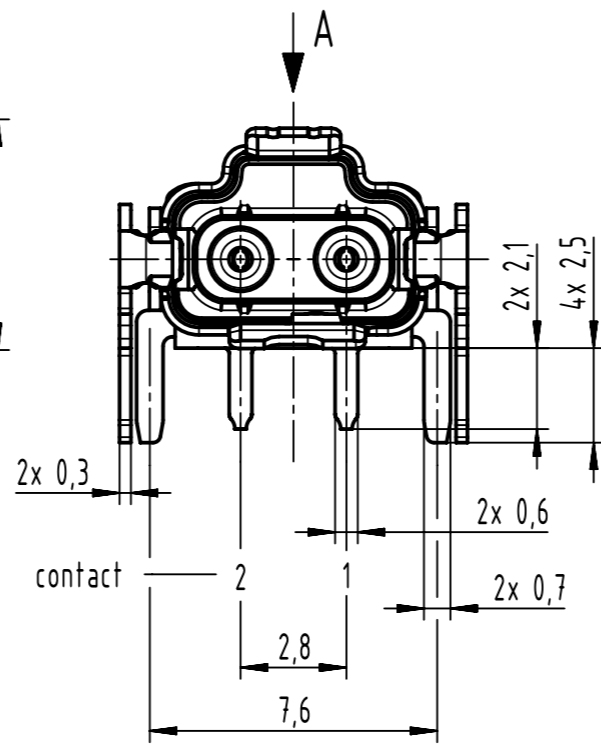
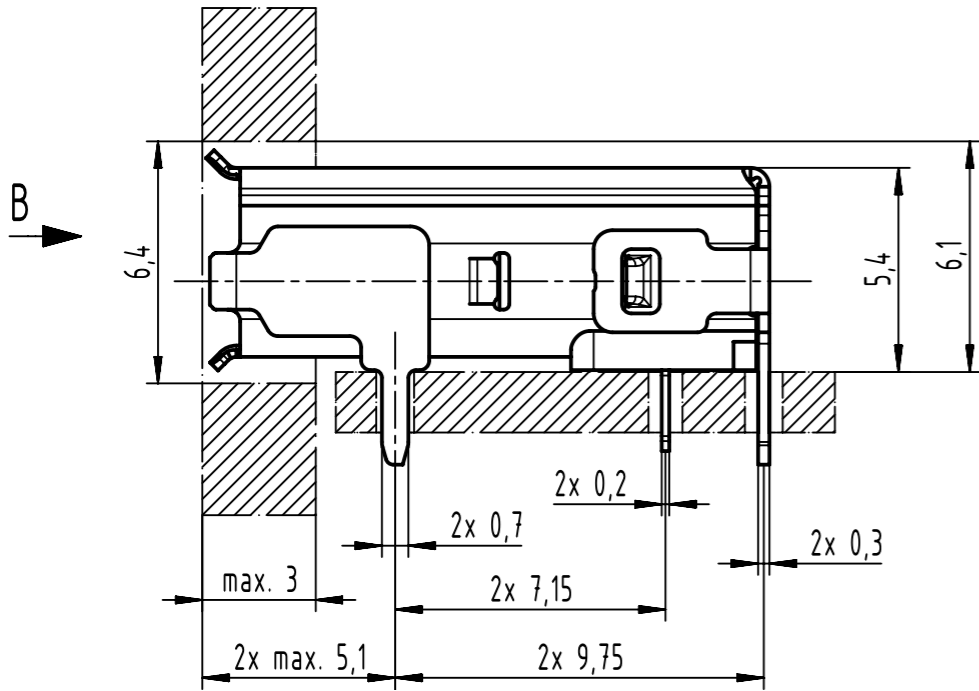
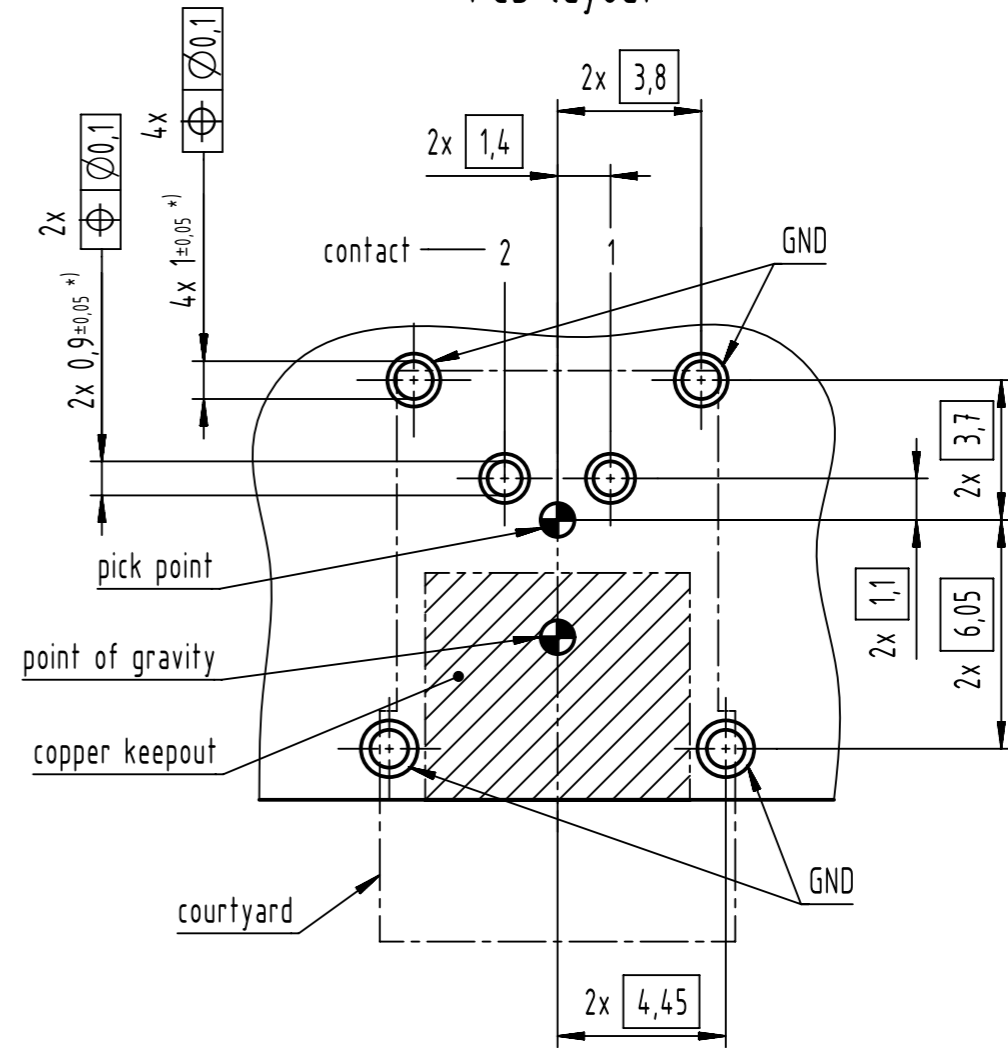
This plastic surface touches the PCB.
Please consider for paste mask.



B
panel cutout

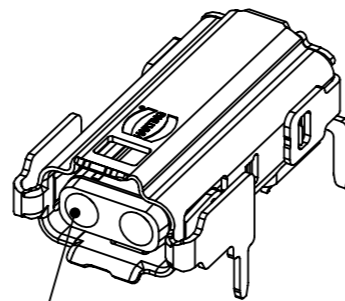
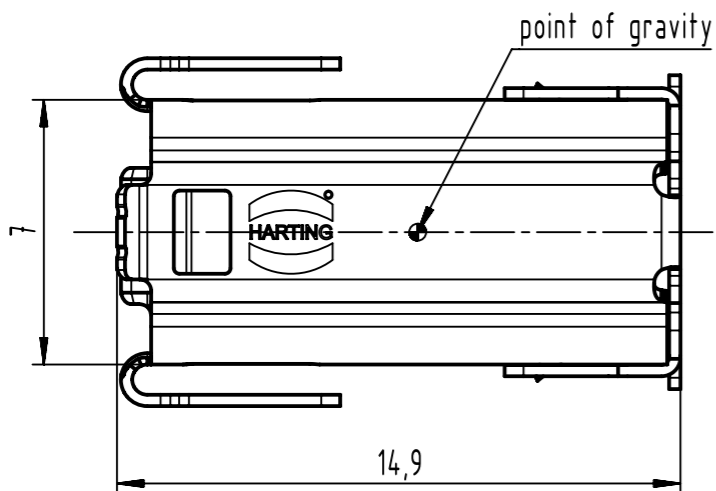


A
PCB layout



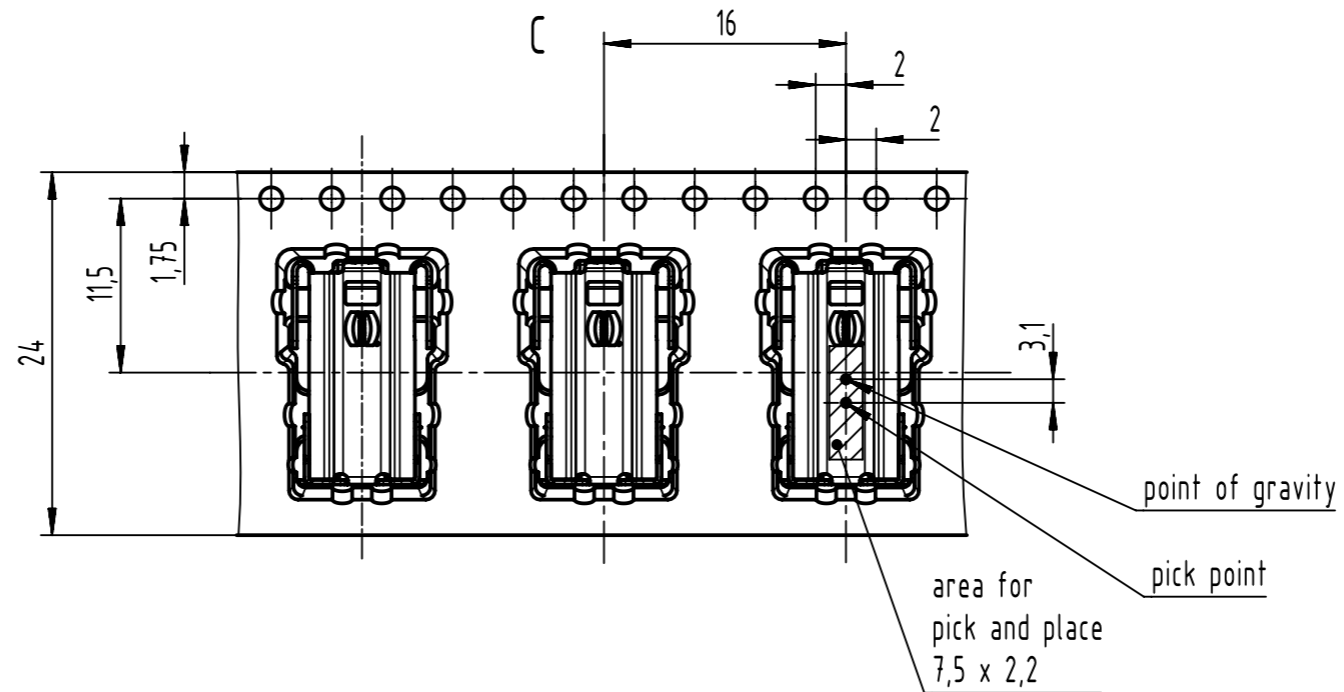
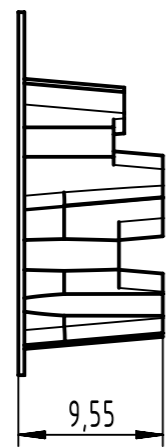
*) all holes are finished diameter

contact	PMA signal
1	BI_DA+
2	BI_DA-

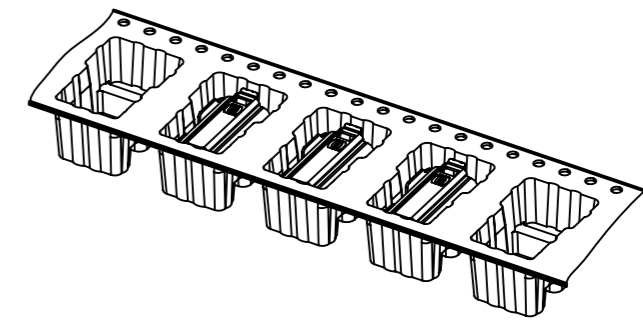
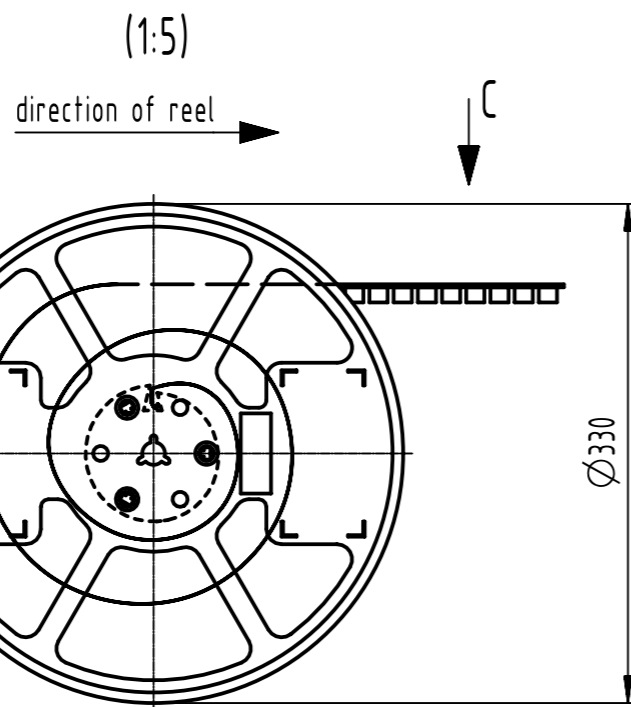
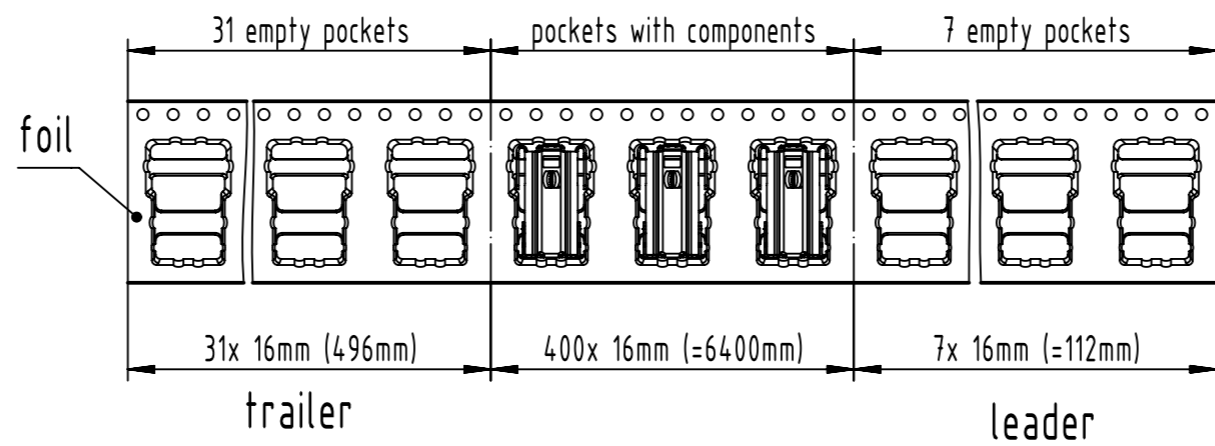


mating face acc. to IEC 63171-6

09 45 281 2810 333	T1 Industrial jack AH IP20		1 piece	
09 45 281 2810			400 pieces	
part number	description		packaging unit	
All Dimensions in mm Original Size DIN A3	Scale 5:1	Free size tol.	Ref.	
			Sub. TB 09452812800 / ECM 500000176544 / 2020-07-22	
All rights reserved Department EL PD	Created by HASELOH	Inspected by LUETTERMANN	Standardisation SAP_WFRT	Date 2022-02-14
			State Final Release	
Title T1 Industrial jack AH IP20		Doc-Key / ECM-Nr. 100689697/UGD/003/M 500000211116		
Type TB		Number 09452812810		Rev. M
Page 1/2				



(1:1)



tape and reel acc. to DIN EN 60286-3

	All rights reserved Department EL PD	Created by HASELOH	Inspected by LUETTERMANN	Standardisation SAP_WFRT	Date 2022-02-14	State Final Release	Ref. Sub. TB 09452812800 / ECM 500000176544 / 2020-07-22
	HARTING D-32339 Espelkamp	Title T1 Industrial jack AH IP20			Type TB	Number 09452812810	Doc-Key / ECM-Nr. 100689697/UGD/003/M 500000211116
						Rev. M	Page 2/2