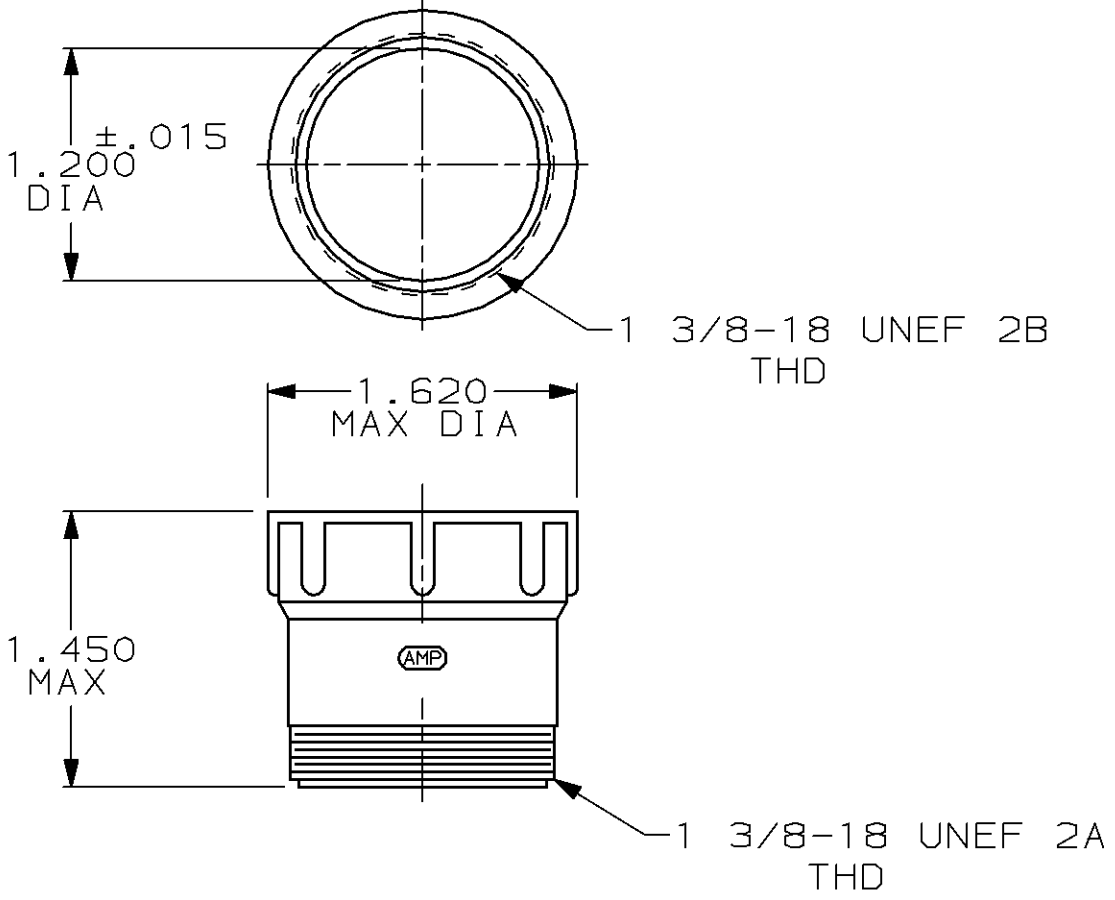


LOC	DIST	REVISIONS					
		P	LTR	DESCRIPTION	DATE	DWN	APVD
BD	35		B	REDRAWN	31 JUL 90	-	KB
			C	REVISE PER EC 0020-750-95	26 JUL 95	CR	RB



THIS DRAWING IS UNPUBLISHED. BY AMP INCORPORATED. ALL RIGHTS RESERVED. COPYRIGHT 19

207055-1
PART NUMBER

DIMENSIONS: INCHES	DWN	S. RIDGLEY	31 JUL 90	MATERIAL	GLASS FILLED NYLON	FINISH	-	
	CHK	R. STONE	26 APR 91	AMP Incorporated Harrisburg, PA 17105-3608				
TOLERANCES UNLESS OTHERWISE SPECIFIED:	APVD	K. BEAVER	30 APR 91					
0 PLC ±-	PRODUCT SPEC	NAME BACKSHELL EXTENDER, SIZE 23, CPC						
1 PLC ±-	APPLICATION SPEC							
2 PLC ±-	WEIGHT	-		SIZE	A4	CAGE CODE	00779	
3 PLC ±-		-		DRAWING NO	C-207055			
4 PLC ±-		-		SCALE	1:1	SHEET	1 OF 1	REV
ANGLES ±-	CUSTOMER DRAWING							