

PLEASE CHECK WWW.MOLEX.COM FOR LATEST PART INFORMATION

Part Number: [0438600001](#)
Status: **Active**
Overview: Magnetic and Modular Jacks/Plugs
Description: Modular Jack, Right-Angle, Low Profile, Inverted, 8/8

Documents:

| | |
|------------------------------------------------------------------|------------------------------------------------------------|
| 3D Model | Packaging Specification PK-43860-004 (PDF) |
| Drawing (PDF) | Test Summary TS-43860-001-001 (PDF) |
| Product Specification PS-43860-003 (PDF) | RoHS Certificate of Compliance (PDF) |
| Application Specification AS-43860-001-001 (PDF) | |

Agency Certification

| | |
|-----|---------|
| CSA | LR19980 |
| UL | E107635 |

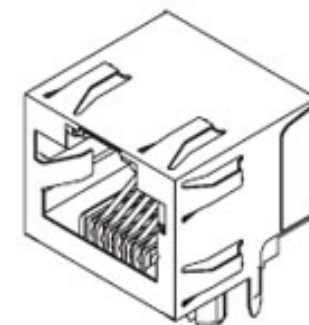
General

| | |
|---------------------------|-----------------------------------------|
| Product Family | Modular Jacks/Plugs |
| Series | 43860 |
| Component Type | PCB Jack |
| Magnetic | No |
| Overview | <u>Magnetic and Modular Jacks/Plugs</u> |
| Performance Category | 3 |
| Power over Ethernet (PoE) | N/A |
| Product Name | Modular Jack 8/8, RJ45 |
| UPC | 800753918115 |

Physical

| | |
|--------------------------------|--------------------------------|
| Boot Color | N/A |
| Color - Resin | Black |
| Durability (mating cycles max) | 500 |
| Flammability | 94V-0 |
| Inverted / Top Latch | Yes |
| Jack Height | 13.21mm |
| Lightpipes/LEDs | None |
| Material - Metal | Phosphor Bronze |
| Material - Plating Mating | Gold |
| Material - Plating Termination | Tin |
| Material - Resin | High Temperature Thermoplastic |
| Net Weight | 2.155/g |
| Orientation | Right Angle (Side Entry) |
| PCB Locator | Yes |
| PCB Retention | Yes |
| PCB Thickness - Recommended | 1.60mm |
| Packaging Type | Tube |
| Pitch - Mating Interface | 1.02mm |
| Pitch - Termination Interface | 1.02mm |
| Plating min - Mating | 1.270µm |
| Plating min - Termination | 2.540µm |
| Port Configuration | 1x1 |
| Positions / Loaded Contacts | 8/8 |
| Surface Mount Compatible (SMC) | No |
| Temperature Range - Operating | -40° to +85°C |
| Termination Interface: Style | Through Hole |
| Waterproof / Dustproof | No |
| Wire/Cable Type | N/A |

Electrical



Series image - Reference only

EU ELV

Not Relevant

EU RoHS

Compliant

REACH SVHC

Not Contained Per
-ED/88/2018 (15
January 2019)

Halogen-Free

Status

Not Low-Halogen

For more information, please visit [Contact US](#)

China ROHS

ELV

RoHS Phthalates

China RoHS

Green Image

Not Relevant

Not Contained

Search Parts in this Series

[43860 Series](#)

Mates With

FCC 68 Plugs

| | |
|-------------------------------|---------------|
| Current - Maximum per Contact | 1.5A |
| Shielded | No |
| Voltage - Maximum | 150V AC (RMS) |

Solder Process Data

| | |
|------------------------------------------------|------|
| Duration at Max. Process Temperature (seconds) | 005 |
| Lead-free Process Capability | WAVE |
| Max. Cycles at Max. Process Temperature | 001 |
| Process Temperature max. C | 260 |

Material Info**Reference - Drawing Numbers**

| | |
|---------------------------|------------------|
| Application Specification | AS-43860-001-001 |
| Packaging Specification | PK-43860-004 |
| Product Specification | PS-43860-003 |
| Sales Drawing | SD-43860-001 |
| Test Summary | TS-43860-001-001 |

This document was generated on 07/19/2019

PLEASE CHECK WWW.MOLEX.COM FOR LATEST PART INFORMATION