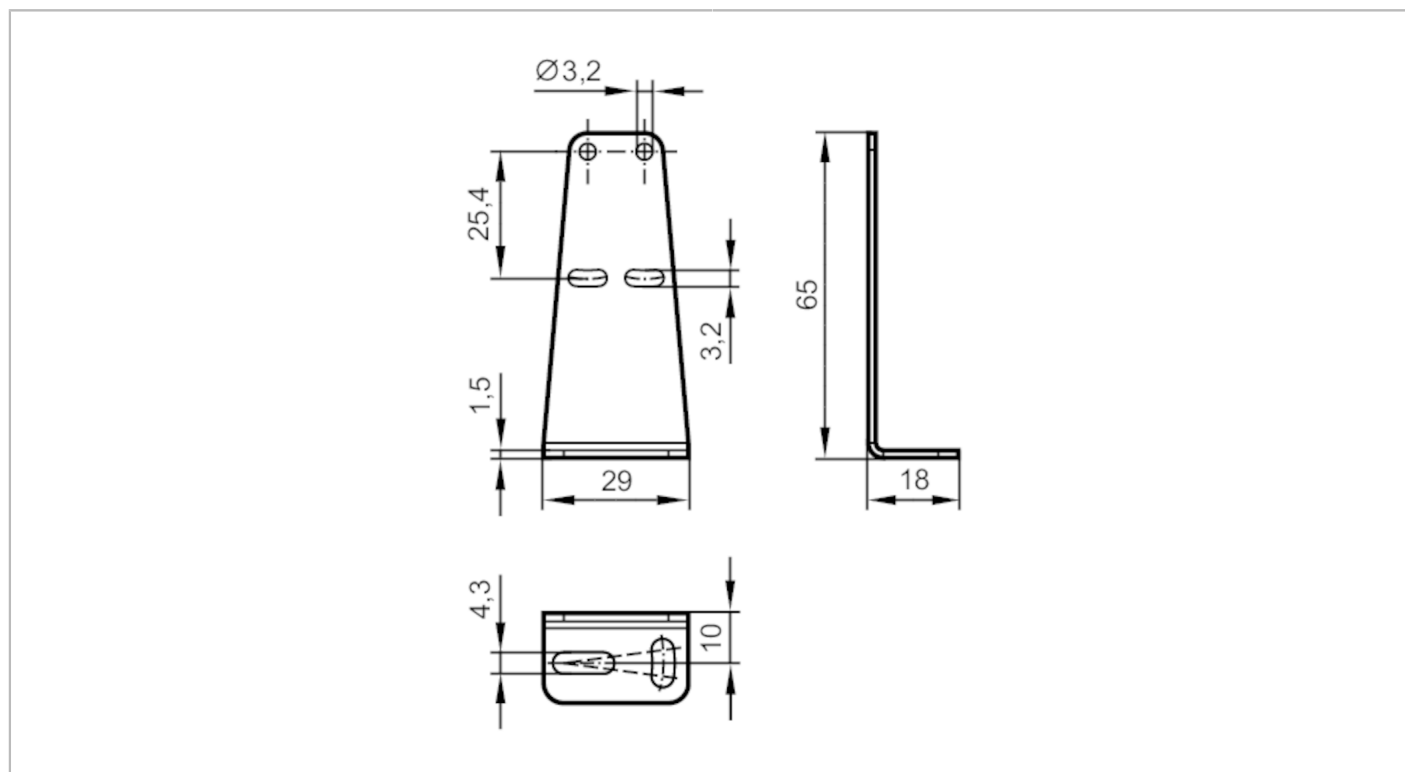


E21271



Angle bracket

O6 STANDARD BRACKET



Mechanical data	
Weight [g]	27.2
Dimensions [mm]	65 x 18 x 29
Materials	stainless steel (1.4571/316Ti)
Accessories	
Accessories (supplied)	cylinder screws: 2 x M3 x 14 washers: 2
Remarks	
Pack quantity	1 pcs.